

# ARIUS

YDP-160

YDP-140

## Owner's Manual

For information on assembling the keyboard stand, refer to the instructions at the end of this manual.

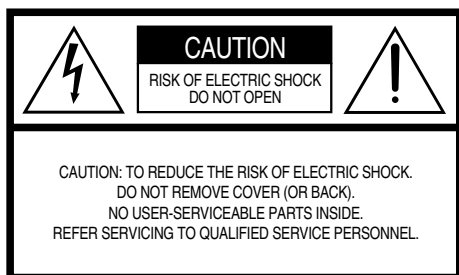
**IMPORTANT — Check your power supply — (YDP-160)**

Make sure that your local AC mains voltage matches the voltage specified on the name plate on the bottom panel. In some areas a voltage selector may be provided on the bottom panel of the main keyboard unit near the power cord. Make sure that the voltage selector is set for the voltage in your area. The voltage selector is set at 240V when the unit is initially shipped.

To change the setting use a "minus" screwdriver to rotate the selector dial so that the correct voltage appears next to the pointer on the panel.

# SPECIAL MESSAGE SECTION (for YDP-160)

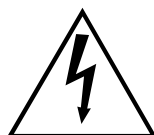
**PRODUCT SAFETY MARKINGS:** Yamaha electronic products may have either labels similar to the graphics shown below or molded/stamped facsimiles of these graphics on the enclosure. The explanation of these graphics appears on this page. Please observe all cautions indicated on this page and those indicated in the safety instruction section.



See bottom of Keyboard enclosure for graphic symbol markings.



The exclamation point within the equilateral triangle is intended to alert the user to the presence of important operating and maintenance (servicing) instructions in the literature accompanying the product.



The lightning flash with arrowhead symbol, within the equilateral triangle, is intended to alert the user to the presence of uninsulated “dangerous voltage” within the product’s enclosure that may be of sufficient magnitude to constitute a risk of electrical shock.

**IMPORTANT NOTICE:** All Yamaha electronic products are tested and approved by an independent safety testing laboratory in order that you may be sure that when it is properly installed and used in its normal and customary manner, all foreseeable risks have been eliminated. DO NOT modify this unit or commission others to do so unless specifically authorized by Yamaha. Product performance and/or safety standards may be diminished. Claims filed under the expressed warranty may be denied if the unit is/has been modified. Implied warranties may also be affected.

**SPECIFICATIONS SUBJECT TO CHANGE:** The information contained in this manual is believed to be correct at the time of printing. However, Yamaha reserves the right to change or modify any of the specifications without notice or obligation to update existing units.

**ENVIRONMENTAL ISSUES:** Yamaha strives to produce products that are both user safe and environmentally friendly. We sincerely believe that our products and the production methods used to produce them, meet these goals. In keeping with both the letter and the spirit of the law, we want you to be aware of the following:

92-469 ① (bottom)

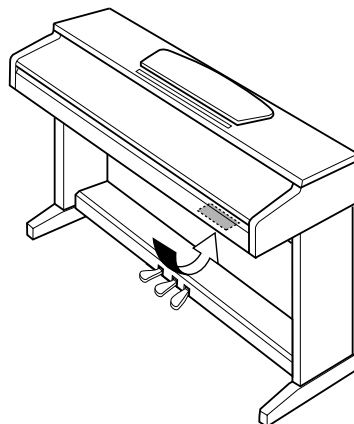
**Battery Notice:** This product MAY contain a small non-rechargeable battery which (if applicable) is soldered in place. The average life span of this type of battery is approximately five years. When replacement becomes necessary, contact a qualified service representative to perform the replacement.

**Warning:** Do not attempt to recharge, disassemble, or incinerate this type of battery. Keep all batteries away from children. Dispose of used batteries promptly and as regulated by applicable laws. Note: In some areas, the servicer is required by law to return the defective parts. However, you do have the option of having the servicer dispose of these parts for you.

**Disposal Notice:** Should this product become damaged beyond repair, or for some reason its useful life is considered to be at an end, please observe all local, state, and federal regulations that relate to the disposal of products that contain lead, batteries, plastics, etc.

**NOTICE:** Service charges incurred due to lack of knowledge relating to how a function or effect works (when the unit is operating as designed) are not covered by the manufacturer’s warranty, and are therefore the owners responsibility. Please study this manual carefully and consult your dealer before requesting service.

**NAME PLATE LOCATION:** The graphic below indicates the location of the name plate. The model number, serial number, power requirements, etc., are located on this plate. You should record the model number, serial number, and the date of purchase in the spaces provided below and retain this manual as a permanent record of your purchase.



YDP-160

Model \_\_\_\_\_

Serial No. \_\_\_\_\_

Purchase Date \_\_\_\_\_

# SPECIAL MESSAGE SECTION (for YDP-140)

This product utilizes batteries or an external power supply (adapter). DO NOT connect this product to any power supply or adapter other than one described in the manual, on the name plate, or specifically recommended by Yamaha.

**WARNING:** Do not place this product in a position where anyone could walk on, trip over, or roll anything over power or connecting cords of any kind. The use of an extension cord is not recommended! If you must use an extension cord, the minimum wire size for a 25' cord (or less) is 18 AWG. NOTE: The smaller the AWG number, the larger the current handling capacity. For longer extension cords, consult a local electrician.

This product should be used only with the components supplied or; a cart, rack, or stand that is recommended by Yamaha. If a cart, etc., is used, please observe all safety markings and instructions that accompany the accessory product.

## SPECIFICATIONS SUBJECT TO CHANGE:

The information contained in this manual is believed to be correct at the time of printing. However, Yamaha reserves the right to change or modify any of the specifications without notice or obligation to update existing units.

This product, either alone or in combination with an amplifier and headphones or speaker/s, may be capable of producing sound levels that could cause permanent hearing loss. DO NOT operate for long periods of time at a high volume level or at a level that is uncomfortable. If you experience any hearing loss or ringing in the ears, you should consult an audiologist.

**IMPORTANT:** The louder the sound, the shorter the time period before damage occurs.

Some Yamaha products may have benches and / or accessory mounting fixtures that are either supplied with the product or as optional accessories. Some of these items are designed to be dealer assembled or installed. Please make sure that benches are stable and any optional fixtures (where applicable) are well secured BEFORE using.

Benches supplied by Yamaha are designed for seating only. No other uses are recommended.

## NOTICE:

Service charges incurred due to a lack of knowledge relating to how a function or effect works (when the unit is operating as designed) are not covered by the manufacturer's warranty, and are therefore the owners responsibility. Please study this manual carefully and consult your dealer before requesting service.

## ENVIRONMENTAL ISSUES:

Yamaha strives to produce products that are both user safe and environmentally friendly. We sincerely believe that our products and the production methods used to produce them, meet these goals. In keeping with both the letter and the spirit of the law, we want you to be aware of the following:

### Battery Notice:

This product MAY contain a small non-rechargeable battery which (if applicable) is soldered in place. The average life span of this type of battery is approximately five years. When replacement becomes necessary, contact a qualified service representative to perform the replacement.

This product may also use "household" type batteries. Some of these may be rechargeable. Make sure that the battery being charged is a rechargeable type and that the charger is intended for the battery being charged.

When installing batteries, do not mix batteries with new, or with batteries of a different type. Batteries MUST be installed correctly. Mismatches or incorrect installation may result in overheating and battery case rupture.

### Warning:

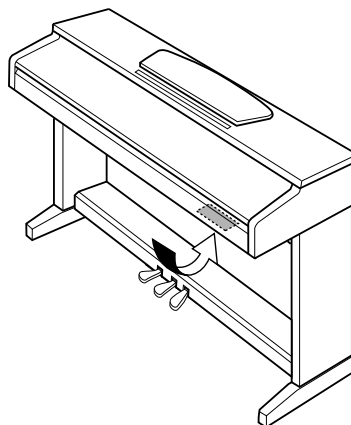
Do not attempt to disassemble, or incinerate any battery. Keep all batteries away from children. Dispose of used batteries promptly and as regulated by the laws in your area. Note: Check with any retailer of household type batteries in your area for battery disposal information.

### Disposal Notice:

Should this product become damaged beyond repair, or for some reason its useful life is considered to be at an end, please observe all local, state, and federal regulations that relate to the disposal of products that contain lead, batteries, plastics, etc. If your dealer is unable to assist you, please contact Yamaha directly.

## NAME PLATE LOCATION:

The name plate is located on the bottom of the product. The model number, serial number, power requirements, etc., are located on this plate. You should record the model number, serial number, and the date of purchase in the spaces provided below and retain this manual as a permanent record of your purchase.



YDP-140

Model \_\_\_\_\_

Serial No. \_\_\_\_\_

Purchase Date \_\_\_\_\_

# PLEASE KEEP THIS MANUAL

92-BP (bottom)

# PRECAUTIONS

## PLEASE READ CAREFULLY BEFORE PROCEEDING

\* Please keep this manual in a safe place for future reference.



### WARNING

Always follow the basic precautions listed below to avoid the possibility of serious injury or even death from electrical shock, short-circuiting, damages, fire or other hazards. These precautions include, but are not limited to, the following:

#### Power supply

- Only use the voltage specified as correct for the instrument. The required voltage is printed on the name plate of the instrument.
- Check the electric plug periodically and remove any dirt or dust which may have accumulated on it.

#### Power cord (YDP-160)

- Use only the supplied power cord/plug.
- Do not place the power cord near heat sources such as heaters or radiators, and do not excessively bend or otherwise damage the cord, place heavy objects on it, or place it in a position where anyone could walk on, trip over, or roll anything over it.

#### AC power adaptor(YDP-140)

- (Users within Canada or U.S.) Use the specified adaptor (PA-150 or an equivalent recommended by Yamaha) only. Using the wrong adaptor can result in damage to the instrument or overheating.
- (Others) Use the specified adaptor (PA-5D or an equivalent recommended by Yamaha) only. Using the wrong adaptor can result in damage to the instrument or overheating.
- Do not place the AC adaptor cord near heat sources such as heaters or radiators, and do not excessively bend or otherwise damage the cord, place heavy objects on it, or place it in a position where anyone could walk on, trip over, or roll anything over it.

#### Do not open

- Do not open the instrument or attempt to disassemble the internal parts or modify them in any way. The instrument contains no user-serviceable parts. If it should appear to be malfunctioning, discontinue use immediately and have it inspected by qualified Yamaha service personnel.

#### Water warning

- Do not expose the instrument to rain, use it near water or in damp or wet conditions, or place containers on it containing liquids which might spill into any openings. If any liquid such as water seeps into the instrument, turn off the power immediately and unplug the power cord from the AC outlet. Then have the instrument inspected by qualified Yamaha service personnel.
- Never insert or remove an electric plug with wet hands.

#### Fire warning

- Do not put burning items, such as candles, on the unit. A burning item may fall over and cause a fire.

#### If you notice any abnormality

- If the power cord (YDP-160)/AC adaptor cord (YDP-140) or plug becomes frayed or damaged, or if there is a sudden loss of sound during use of the instrument, or if any unusual smells or smoke should appear to be caused by it, immediately turn off the power switch, disconnect the electric plug from the outlet, and have the instrument inspected by qualified Yamaha service personnel.



### CAUTION

Always follow the basic precautions listed below to avoid the possibility of physical injury to you or others, or damage to the instrument or other property. These precautions include, but are not limited to, the following:

#### Power supply/Power cord/AC power adaptor

- When removing the electric plug from the instrument or an outlet, always hold the plug itself and not the cord. Pulling by the cord can damage it.
- (YDP-160) Remove the electric plug from the outlet when the instrument is not to be used for extended periods of time, or during electrical storms.
- (YDP-140) Unplug the AC power adaptor when not using the instrument, or during electrical storms.
- Do not connect the instrument to an electrical outlet using a multiple-connector. Doing so can result in lower sound quality, or possibly cause overheating in the outlet.

#### Assembly

- Read carefully the attached documentation explaining the assembly process. Failure to assemble the instrument in the proper sequence might result in damage to the instrument or even injury.

#### Location

- Do not expose the instrument to excessive dust or vibrations, or extreme cold or heat (such as in direct sunlight, near a heater, or in a car during the day) to prevent the possibility of panel discoloration or damage to the internal components.
- Do not use the instrument in the vicinity of a TV, radio, stereo equipment, mobile phone, or other electric devices. Otherwise, the instrument, TV, or radio may generate noise.
- Do not place the instrument in an unstable position where it might accidentally fall over.
- (YDP-160) Before moving the instrument, remove all connected cables.
- (YDP-140) Before moving the instrument, remove all connected adaptor and other cables.

- When setting up the product, make sure that the AC outlet you are using is easily accessible. If some trouble or malfunction occurs, immediately turn off the power switch and disconnect the plug from the outlet. Even when the power switch is turned off, electricity is still flowing to the product at the minimum level. When you are not using the product for a long time, make sure to unplug the AC power plug (YDP-160)/AC power adaptor (YDP-140) from the wall AC outlet.

### Connections

- Before connecting the instrument to other electronic components, turn off the power for all components. Before turning the power on or off for all components, set all volume levels to minimum. Also, be sure to set the volumes of all components at their minimum levels and gradually raise the volume controls while playing the instrument to set the desired listening level.

### Maintenance

- When cleaning the instrument, use a soft, dry or slightly damp cloth. Do not use paint thinners, solvents, cleaning fluids, or chemical-impregnated wiping cloths.

### Handling caution

- Take care that the key cover does not pinch your fingers, and do not insert a finger or hand in any gaps on the key cover or instrument.
- Never insert or drop paper, metallic, or other objects into the gaps on the key cover, panel or keyboard. If this happens, turn off the power immediately and unplug the power cord from the AC outlet. Then have the instrument inspected by qualified Yamaha service personnel.

- Do not place vinyl, plastic or rubber objects on the instrument, since this might discolor the panel or keyboard.
- Do not rest your weight on, or place heavy objects on the instrument, and do not use excessive force on the buttons, switches or connectors.
- Do not use the instrument or headphones for a long period of time at a high or uncomfortable volume level, since this can cause permanent hearing loss. If you experience any hearing loss or ringing in the ears, consult a physician.

### Using the bench (If included)

- Do not place the bench in an unstable position where it might accidentally fall over.
- Do not play carelessly with or stand on the bench. Using it as a tool or step-ladder or for any other purpose might result in accident or injury.
- Only one person should sit on the bench at a time, in order to prevent the possibility of accident or injury.
- If the bench screws become loose due to extensive long-term use, tighten them periodically using the included tool.

### Saving data

#### Saving and backing up your data

- Data in the instrument's internal memory can be lost due to operational errors or malfunction. Be sure to save any important data to external media via a computer connected to the instrument. (page 32)

Yamaha cannot be held responsible for damage caused by improper use or modifications to the instrument, or data that is lost or destroyed.

Always turn the power off when the instrument is not in use.

#### YDP-160

Even when the power switch is turned off, electricity is still flowing to the instrument at the minimum level. When you are not using the instrument for a long time, make sure you unplug the AC power plug from the wall AC outlet.

#### YDP-140

Even when the power switch is in the "STANDBY" position, electricity is still flowing to the instrument at the minimum level. When you are not using the instrument for a long time, make sure you unplug the AC power adaptor from the wall AC outlet.

## Welcome

Thank you for purchasing the Yamaha Digital Piano! We recommend that you read this manual carefully so that you can take full advantage of the advanced and convenient functions of your new digital piano.  
We also recommend that you keep this manual in a safe, convenient place for future reference.

# About the Documentation and Reference Materials for this Instrument

---

The documentation and reference materials for this instrument consist of the following:

### Owner's Manual (this book)

#### Introduction (P2):

Please read this section first.

#### Reference (P16):

This section explains how to make detailed settings for the instrument's various functions.

#### Appendix (P41):

This section introduces specifications and other information.

### Quick Operation Guide (separate sheet)

This Guide explains detailed operation of the functions assigned to the buttons and keyboard.

### Data List

You can download various MIDI-related reference materials, such as the MIDI Data Format and MIDI Implementation Chart, from the **Yamaha Manual Library**.

Connect to the Internet, visit the following website, type the model name of your instrument (such as "YDP-160") in the Model Name text box, then click the Search button.

#### Yamaha Manual Library

<http://www.yamaha.co.jp/manual/>

- The illustrations as shown in this owner's manual are for instructional purposes only, and may be different from the ones on your instrument.

This product incorporates and bundles computer programs and contents in which Yamaha owns copyrights or with respect to which it has license to use others' copyrights. Such copyrighted materials include, without limitation, all computer software, style files, MIDI files, WAVE data, musical scores and sound recordings. Any unauthorized use of such programs and contents outside of personal use is not permitted under relevant laws. Any violation of copyright has legal consequences. **DON'T MAKE, DISTRIBUTE OR USE ILLEGAL COPIES.**

Copying of the commercially available musical data including but not limited to MIDI data and/or audio data is strictly prohibited except for your personal use.

### Trademarks:

- Windows is a registered trademark of Microsoft® Corporation in the United States and other countries.
- The company names and product names in this manual are the trademarks or registered trademarks of their respective companies.

# Accessories

---

- Owner's Manual (this book)
- Quick Operation Guide (separate sheet)
- "50 Greats for the Piano" (Music Book)
- AC Power cord (YDP-160)
- Bench\*
- AC Power adaptor (YDP-140)\*  
Users within Canada or U.S.: PA-150 or an equivalent  
Others: PA-5D or an equivalent

\* Included or optional depending on locale.

## ■ Tuning

Unlike an acoustic piano, this instrument does not need to be tuned. It always stays perfectly in tune.

## ■ Transporting

If you move to another location, you can transport this instrument along with your other belongings. You can move the unit as it is (assembled) or you can disassemble the unit before moving.

Transport the keyboard horizontally. Do not lean it up against a wall or stand it up on its side. Do not subject the instrument to excessive vibration or shock.

# Features

---

## **AWM Dynamic Stereo Sampling**

---

The Yamaha YDP-160/140 digital piano offers a rich and versatile range of sounds, which are created using Yamaha's proprietary sampling tone-generation system, "AWM Dynamic Stereo Sampling."

The AWM (Advanced Wave Memory) is a sampling system which creates sound close to that of an acoustic instrument by using digital technology to record the instrument sound and applying high-quality digital filter technology to the recorded audio samples.

The waveform of the sound created by playing the key of an acoustic piano differs depending on the playing strength from pianissimo to fortissimo. The AWM Dynamic Stereo Sampling can produce such dynamic nuances by recording samples of various playing strengths. The greater the number of samples used, the higher the expressive quality and potential becomes.

Two of the piano voices, "Grand Piano 1" and "Grand Piano 2," feature totally new samples recorded from a full-size concert grand piano.

The "Grand Piano 1" voice features multiple wave samples for different velocities (Dynamic Sampling); that is, different samples are used depending on how fast or strong you strike the keys. Therefore, this voice expresses detailed dynamics and sounds much closer to a true acoustic piano.

## **GH(Graded Hammer) keyboard and GHS(Graded Hammer Standard) keyboard with matte black keytops**

---

A special Graded Hammer keyboard on the YDP-160, and Graded Hammer Standard keyboard with matte black keytops on the YDP-140, feature graded key weight and response throughout the keyboard range. They respond to a heavier touch in the low range of the keyboard and a lighter touch in the higher range of the keyboard, thus providing natural grand-piano type playability. The matte finish of the black keys enhances keyboard's luxurious appearance. The Graded Hammer keyboard also offers superb playability for tremolo and other repetitive-striking techniques.



# Table of Contents

---

## Introduction

**SPECIAL MESSAGE SECTION ..... 2**

**About the Documentation and Reference Materials for this Instrument..... 6**

**Accessories ..... 7**

**Features..... 8**

**Part Names and Functions..... 10**

**Before Using the Digital Piano ..... 12**

Key Cover .....12

Music Rest .....12

Connecting the Power Cord (YDP-160) .....13

Connecting the Power Adaptor (YDP-140) ....13

Turning the Power On.....14

Setting the Volume.....14

Using Headphones .....15

## Reference

**Listening to the Demo Songs ..... 16**

**Listening to 50 Piano Preset Songs ..... 17**

**Listening to Songs Loaded from the Computer ..... 18**

**Selecting & Playing Voices..... 19**

Selecting Voices .....19

Using the Pedals .....20

Adding Variations to the Sound – Reverb .....21

Layering Two Voices (Dual mode) .....22

Transposition .....23

Fine-tuning the Pitch .....23

Using the Metronome.....24

Adjusting the Keyboard Touch (Touch Sensitivity) .....25

**Recording your Performance..... 26**

Playing Back Recorded Performance Data .....27

Erasing Recorded Performance Data .....27

**Connecting MIDI Instruments ..... 28**

About MIDI ..... 28

MIDI's Capability ..... 28

**Connecting the Digital Piano to a Computer ..... 29**

**MIDI Functions ..... 30**

MIDI Transmit/Receive Channel Selection .... 30

Local Control ON/OFF ..... 30

Program Change ON/OFF ..... 31

Control Change ON/OFF ..... 31

**Transmitting Song Data between the Computer and the Digital Piano..... 32**

Loading Song Data from a Computer to the Digital Piano ..... 32

Transmitting Song Data from the Digital Piano to a Computer ..... 33

Backing up Data and Initializing the Settings ..... 33

**Troubleshooting..... 34**

**Options..... 34**

**Keyboard Stand Assembly ..... 35**

**Index..... 39**

## Appendix

**Specifications ..... 41**

# Part Names and Functions

Bottom of the keyboard



PHONES

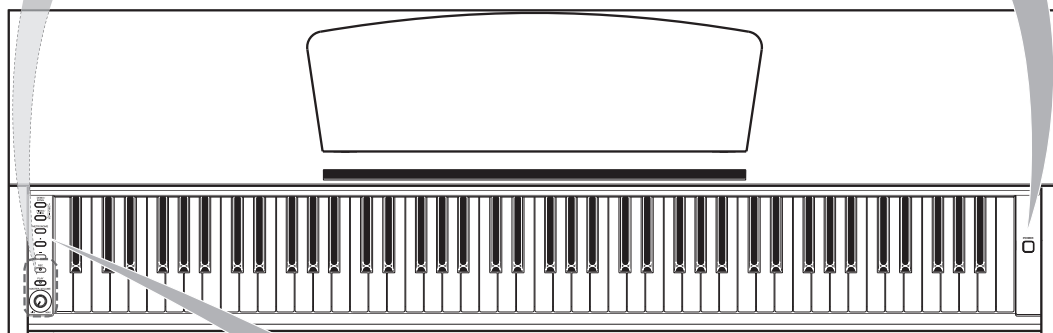
**[PHONES]**

A set of standard stereo headphones can be plugged in here for private practice (page 15).

**[POWER]**(YDP-160)

**[STANDBY/ON]**(YDP-140)

This power switch turns the power to the unit on or off. (page 14)



**[DEMO/SONG]**

Listen to the playback of a demo song for each voice and 50 piano preset songs (page 16).

**[METRONOME]**

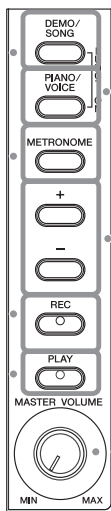
Control the metronome functions (page 24).

**[REC]**

Record your performance (page 26).

**[PLAY]**

Play back your recorded performance (page 27).



**[PIANO/VOICE]**

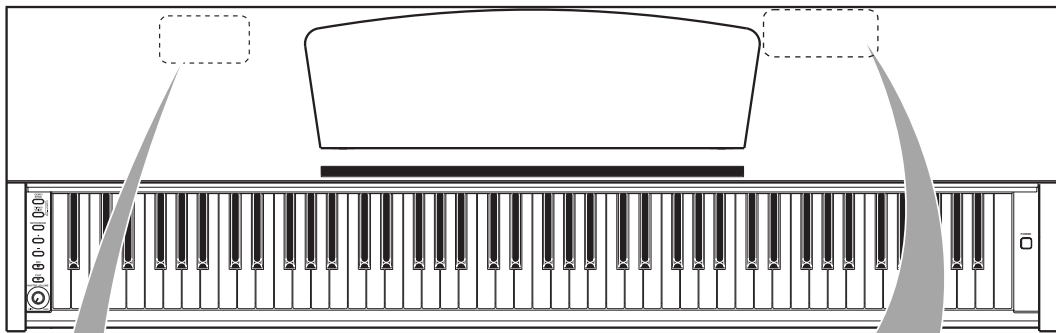
This button enables you to select any voice from 10 (YDP-160) or 6 (YDP-140) voices. (page 19) You can also layer two voices (page 22), or select a type of reverb (page 21).

**[+]/[-]**

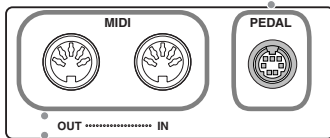
These buttons enable you to select a song to play back from voice demo songs or from “50 Greats for the Piano.” (pages 16, 17) They also enable you to change the voice or tempo. (pages 19, 24)

**[MASTER VOLUME]**

Adjust the volume level using this control (page 14).

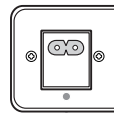


**[PEDAL]**  
Connect the pedal cord (page 37).



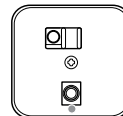
**MIDI [IN/OUT]**  
Connect a MIDI device to this connector to use various MIDI functions.  
(Connecting MIDI Instruments—page 28)

Shows the MIDI [IN/OUT] and [PEDAL] jacks as seen when viewed from the rear of the instrument.



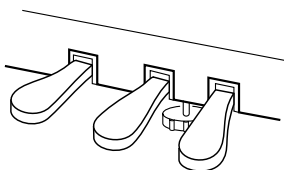
Bottom of the keyboard

**[AC IN] (YDP-160)**  
Connect the included power cord here.  
(page 13)



Bottom of the keyboard

**[DC IN 12V] (YDP-140)**  
Connect the included power adaptor here. (page 13)



**Pedals**  
Use these pedals when you want notes to sustain longer or to sound softer and round.  
(Using the Pedals—page 20)

# Before Using the Digital Piano

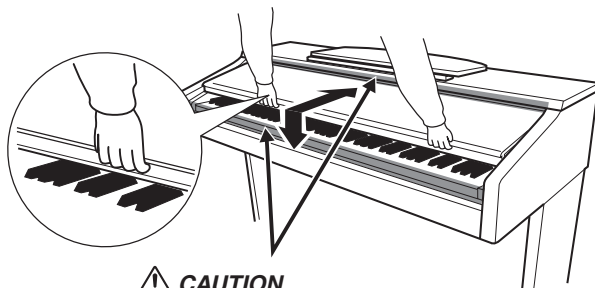
## Key Cover

### To open the key cover:

Lift the cover slightly, then push and slide it open.

### To close the key cover:

Slide the cover toward you and gently lower the cover over the keys.



### ⚠ CAUTION

Hold the cover with both hands when opening or closing it. Do not release it until it is fully opened or closed. Be careful to avoid catching fingers (yours or others, especially children's) between the cover and main unit.

### ⚠ CAUTION

Be careful to avoid catching your fingers when opening or closing the cover.

### ⚠ CAUTION

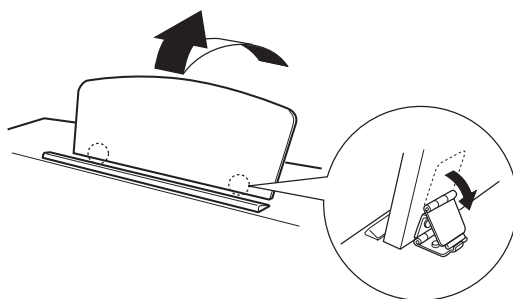
Do not place objects, such as a piece of metal or paper, on top of the key cover. Small objects placed on the key cover may fall inside the unit when the cover is opened and may be nearly impossible to remove. This could cause electric shock, short circuit, fire or other serious damage to the instrument.

If this happens, turn off the power immediately and unplug the power cord from the AC outlet. Then have the instrument inspected by qualified Yamaha service personnel.

## Music Rest

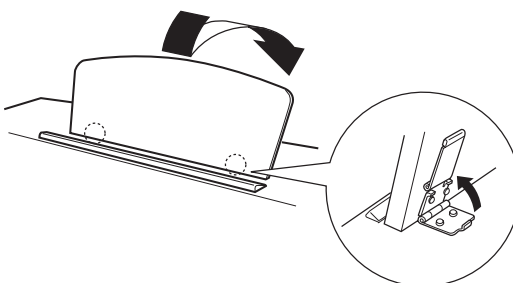
### To raise the music rest:

1. Pull the music rest up and toward yourself as far as it will go.
2. Flip down the two metal supports at the left and right on the rear of the music rest.
3. Lower the music rest so that it rests on the metal supports.



### To lower the music rest:

1. Pull the music rest toward yourself as far as it will go.
2. Raise the two metal supports (at the rear of the music rest).
3. Gently lower the music rest backward until it is all the way down.



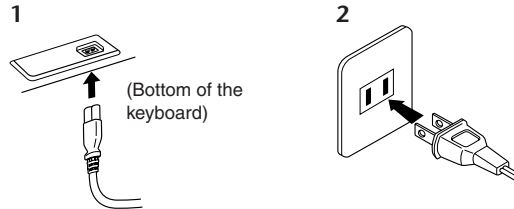
### ⚠ CAUTION

Do not try to use the music rest in a half-raised position. When lowering the music rest, do not release your hands from the music rest until it is all the way down.

## Connecting the Power Cord (YDP-160)

Read the instructions below very carefully to make sure that you correctly connect the power cord. YDP-140 users should skip to the next section “Connecting the Power Adaptor (YDP-140)” for information on connecting the power adaptor.

1. Insert the plug on one end of the power cord to the [AC IN] connector. Refer to the “Part Names and Functions” on page 11 for information on the location of the [AC IN] connector.
2. Insert the plug on the other end of the power cord to a standard AC outlet.



(The shape of the plug differs depending on locale.)

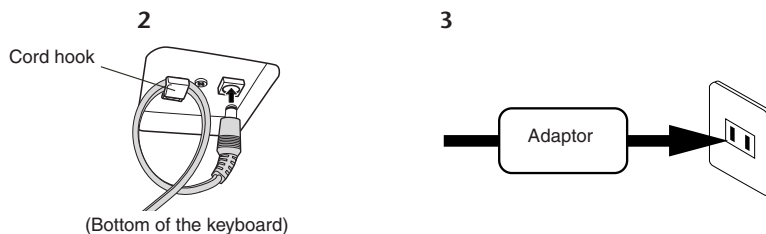
### **⚠ WARNING**

Make sure your digital piano is rated for the AC voltage supplied in the area in which the piano will be used. (The voltage rating appears on the name plate on the bottom panel). In some areas, a voltage selector may be provided on the bottom panel of the main keyboard unit near the power cord. Make sure that the voltage selector is set for the voltage in your area. Connecting the unit to an inappropriate AC supply can seriously damage the internal circuitry and may even pose a shock hazard! Use only the AC power cord supplied with the instrument. If the supplied power cord is lost or damaged and needs to be replaced, contact your Yamaha dealer. The use of an inappropriate replacement can pose a fire and shock hazard! The type of AC power cord provided with the instrument may be different depending on the country in which the instrument was purchased. (In some areas a plug adaptor may be provided to match the pin configuration of the AC wall outlets in your area.) Do NOT modify the plug provided with the instrument. If the plug will not fit the outlet, have a proper outlet installed by a qualified electrician.

## Connecting the Power Adaptor (YDP-140)

Read the instructions below very carefully to make sure that you correctly connect the power adaptor. YDP-160 users should skip back to the previous section “Connecting the Power Cable (YDP-160)” for information on connecting the power cord.

1. Make sure that the [STANDBY/ON] switch is set to STANDBY.
2. Connect the DC plug of the power adaptor into the [DC IN 12V] connector. Refer to the “Part Names and Functions” on page 11 for more information on the location of the [DC IN 12V] connector. Loop cord slack onto the cord hook so that the plug will not be disconnected accidentally.
3. Insert the AC plug of the power adaptor into a standard AC outlet.



### **⚠ WARNING**

Be sure to use a specified power adaptor. Using a different power adaptor may cause malfunction, overheating, or fire.

### **⚠ WARNING**

Do not bend the cord tightly when you hang the cord on the cord hook. Otherwise, a short-circuit or fire may result.

### **⚠ WARNING**

Be sure to use an appropriate AC outlet.

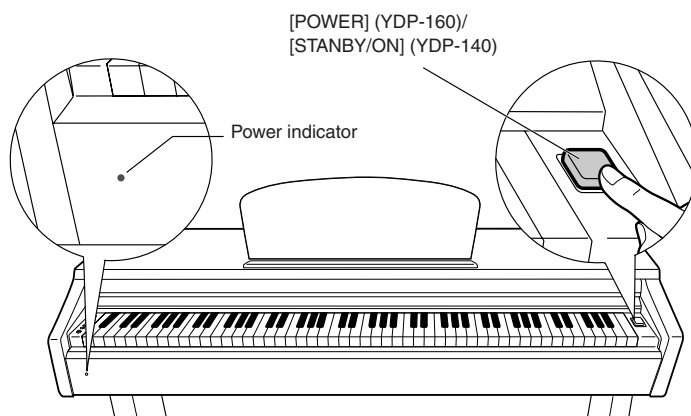
### **⚠ CAUTION**

If you plan not to use the instrument for a long period of time, or if there is a possibility of lightning, be sure to remove the power cord plug from the AC outlet.

## Turning the Power On

Press the **[POWER]** (YDP-160) or **[STANDBY/ON]** (YDP-140) switch on the right end of the keyboard to turn on the power to the unit.

⇒ The power indicator located below the left end of the keyboard lights up.



Press the **[POWER]** (YDP-160) or **[STANDBY/ON]** (YDP-140) switch again to turn off the power to the unit.

⇒ The power indicator turns off.

### Power indicator

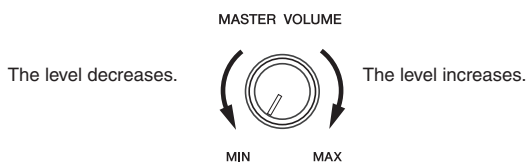
If you forget to turn off the power to the piano and close the key cover, the power indicator will remain lit, indicating that the power is still on.

### ⚠ CAUTION

A small amount of electrical current remains even after the power switch is turned off. If you plan not to use the instrument for a long period of time, be sure to unplug the instrument from the AC outlet.

## Setting the Volume

When you start playing, adjust the **[MASTER VOLUME]** control to the most comfortable listening level.



### ⚠ CAUTION

Do not use this instrument at a high volume level for a long period of time, or your hearing may be damaged.

# Using Headphones

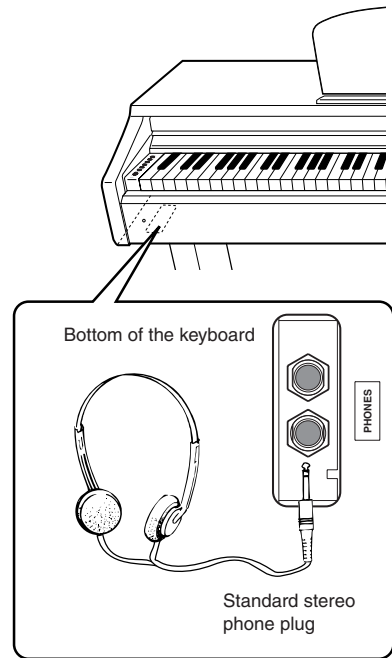
Connect a pair of headphones to one of the [PHONES] jacks.

Two [PHONES] jacks are provided.

You can connect two sets of standard stereo headphones. (If you are using only one pair of headphones, you can plug them into either jack.)

## ⚠ CAUTION

Do not listen to the instrument at a high volume level through headphones for a long period of time, or your hearing may be damaged.

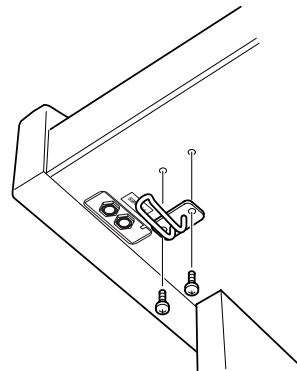


## Using the Headphone Hanger (for YDP-160 only)

A headphone hanger is included in the package so that you can hang the headphones on this instrument. Install the headphone hanger using the included two screws ( $4 \times 10\text{mm}$ ) as shown in the figure.

## ⚠ CAUTION

Do not hang anything other than the headphones on the hanger. Otherwise, this instrument or the hanger may be damaged.



# Listening to the Demo Songs

Demo songs are provided that effectively demonstrate each of this instrument's voices.

## Procedure

### 1. Turn on the power.

(In case the power is not turned on) Press the **[POWER]** (YDP-160) or **[STANDBY/ON]** (YDP-140) button.

➡ The power to the unit turns on.

Set the **[MASTER VOLUME]** control to the half-way point. (You can adjust the level while playing back a demo song.)

### 2. Start playing back a demo song.

Press the **[DEMO/SONG]** button.

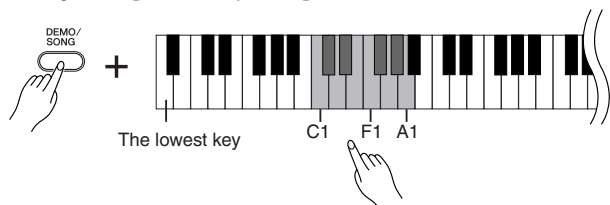
➡ The demo song for the currently-selected voice starts playing.

### 3. Select and play a demo song.

While a demo song is playing, press the **[+]** or **[-]** button to select and play the next or previous demo song.

If you wish to select a particular demo song from 10 (YDP-160) or 6 (YDP-140) voice demo songs, press and hold down the **[DEMO/SONG]** button, then press one of the C1–A1 (YDP-160) or C1–F1 (YDP-140) keys.

➡ The selected demo song starts to play. Starting with the selected song, the playback of the demo songs will continue in the following sequence: other voice demo songs, followed by 50 piano preset songs, and any songs loaded from the computer. The sequence then returns to the first demo song and repeats until you stop it.



### Demo Songs

Each of the 10 (YDP-160) or 6 (YDP-140) voices features its own demo song that showcases the corresponding voice. Please refer to “Selecting Voices” on page 19.

The demo songs listed below are re-arranged excerpts from the original compositions.

The other demo songs are Yamaha's original pieces (©2008 Yamaha Corporation).

Refer to the voice list on page 19 for more information on the characteristics of each pre-set voice.

While a demo song is playing, press and hold down the **[METRONOME]** button and press the **[+]** or **[-]** button to change the song tempo.

If you are using the metronome (page 24) during demo song playback, press the **[+]** or **[-]** button to change the song tempo.

You can also press keys to change the tempo. (page 24)

The demo songs will not be transmitted via MIDI.

You can also change to the next or previous demo song by pressing and holding down the **[DEMO/SONG]** button and pressing the **[+]** or **[-]** button.

Key	Voice Name	Title	Composer
C1	GRAND PIANO 1	Sonate für Klavier Nr.13, K.333	W. A. Mozart
E1(YDP-160)	HARPSICHORD 1	Concerto a cembalo obbligato, 2 violini, viola e continuo No.7, BWV.1058	J. S. Bach
D <sup>♯</sup> 1(YDP-140)	HARPSICHORD		
F1(YDP-160)	HARPSICHORD 2	Gigue, Französische Suiten Nr.5, BWV.816	J. S. Bach
G1(YDP-160)	CHURCH ORGAN 1	Herr Christ, der ein'ge Gottes-Sohn, BWV.601	J. S. Bach
E1(YDP-140)	CHURCH ORGAN		
G <sup>♯</sup> 1(YDP-160)	CHURCH ORGAN 2		
		Triosonate Nr.6, BWV.530	J. S. Bach



### Adjusting the Volume

Use the [MASTER VOLUME] control to adjust the volume.

## 4. Stop the Voice demo.

Press the [DEMO/SONG] button to stop playback.

# Listening to 50 Piano Preset Songs

This digital piano provides performance data for 50 piano songs as well as voice demo songs. You can simply listen to these songs. You can also refer to the included "50 Greats for the Piano" that contains scores for 50 piano preset songs.

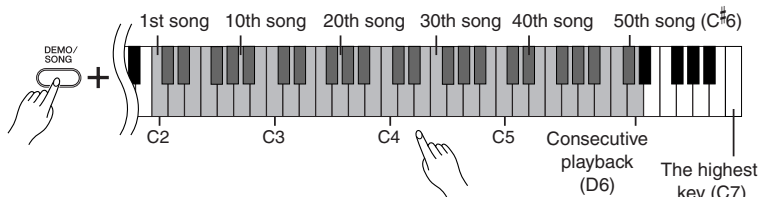
## Procedure

### 1. Select and play back a piano preset song.

The number of each piano preset song is assigned to the C2–C#6 keys.

While holding down the [DEMO/SONG] button, press one of the C2–C#6 keys to select a song to play back.

- ⇒ The selected piano song starts to play.  
To play all preset songs consecutively in sequence, while holding down the [DEMO/SONG] button, press the D6 key.



While a piano preset song is playing, press the [+] or [-] button to change to the next or previous piano song.

### Adjusting the Volume

Use the [MASTER VOLUME] control to adjust the volume.

## 2. Stop playback.

To stop the song during playback (or continuous playback), press the [DEMO/SONG] button.

- To continue playing other songs, see procedure 1 above.

#### Song:

On this instrument, performance data is called a "Song." This includes demo songs and 50 piano preset tunes.

You can play the keyboard along with the preset song. You can change the voice playing on the keyboard.

The default tempo is automatically selected whenever a new preset song is selected, and when a new preset song begins playback.

While a piano preset song is playing, hold down the [METRONOME] button and press the [+] or [-] button to change the song tempo.

If you are using the metronome (page 24) during preset song playback, press the [+] or [-] button to change the song tempo.

You can also press keys to change the tempo. (page 24)

When you select a different song (or a different song is selected during chained playback), an appropriate reverb type will be selected accordingly.

The 50 piano preset songs will not be transmitted via MIDI.

# Listening to Songs Loaded from the Computer

You can transfer song data from your computer to this instrument and play back the songs. (See page 32 for more information on loading song data from the computer.)

## Procedure

### 1. Select and play back a song.

Song numbers (1 through 10) are assigned to the D<sup>#</sup>6–C7 keys (see the illustration below).

While holding down the [DEMO/SONG] button, press one of the D<sup>#</sup>6–C7 keys to select a song to play back.

⇒ The selected song starts to play.



#### Adjusting the Volume

Use the [MASTER VOLUME] control to adjust the volume while listening to the song.

### 2. Stop playback.

To stop the song during playback, press the [DEMO/SONG] button.

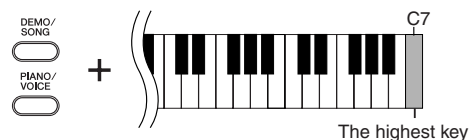
#### Selecting a Song Playback Channel

If a song loaded from the computer uses a voice that is not supported by this instrument, the originally-assigned voice may not be reproduced accurately. In this case, switching the song playback channel from “All” to “1 + 2” may improve the tone to more natural sound.

#### Selecting 1 + 2 song playback channels:

While pressing and holding down the [DEMO/SONG] button and the [PIANO/VOICE] button simultaneously, press the C7 key.

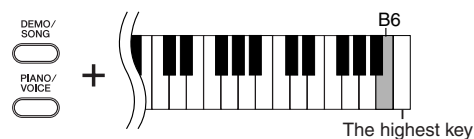
⇒ Channels 1 + 2 will produce the sound.



#### Selecting all song playback channels:

While pressing and holding down the [DEMO/SONG] button and the [PIANO/VOICE] button simultaneously, press the B6 key.

⇒ All channels 1 through 16 will produce the sound.



You can load up to 10 songs or up to 337 KB of data from the computer.

Use the following table to write down the song titles you loaded from the computer.

Key	Song title
D <sup>#</sup> 6	
E6	
F6	
F <sup>#</sup> 6	
G6	
G <sup>#</sup> 6	
A6	
A <sup>#</sup> 6	
B6	
C7	

# Selecting & Playing Voices

## Selecting Voices

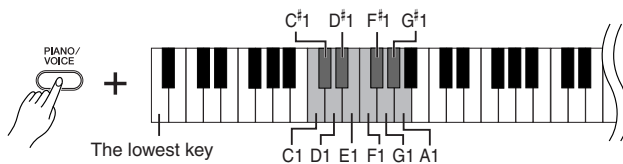
### Procedure

Press and release the [PIANO/VOICE] button to select the Grand Piano 1 voice.

Press and release the [PIANO/VOICE] button, press the [+] or [-] button to select a different voice.

If you wish to select a particular voice directly, press and hold down the [PIANO/VOICE] button, then press one of the C1–A1 (YDP-160) or C1–F1 (YDP-140) keys.

Turn the [MASTER VOLUME] control to adjust the volume level while playing the keyboard.



To understand the characteristics of various voices, listen to demo songs for each voice (page 16).

#### Voice:

On this instrument, a voice means a “tone” or “tonal color.”

Selecting a voice automatically engages the best-suited reverb type and depth (page 21) for that particular voice.

### YDP-160

Key	Voice Name	Description
C1	Grand Piano 1	Recorded samples from a full concert grand piano. Perfect for classical compositions as well as any other style that requires acoustic piano.
C♯1	Grand Piano 2	Spacious and clear piano with bright reverb. Good for popular music.
D1	E.Piano 1	An electronic piano sound created by FM synthesis. Good for popular music.
D♯1	E.Piano 2	The sound of an electric piano using hammer-struck metallic “tines.” Soft tone when played lightly, and an aggressive tone when played hard.
E1	Harpichord 1	The definitive instrument for baroque music. Since the strings of a harpsichord are plucked, there is no touch response.
F1	Harpichord 2	Mixes the same voice an octave higher for a more brilliant tone.
F♯1	Vibraphone	The sound of a vibraphone played with relatively soft mallets.
G1	Church Organ 1	This is a typical pipe organ sound (8 feet + 4 feet + 2 feet). Good for sacred music from the Baroque period.
G♯1	Church Organ 2	This is the organ’s full coupler sound, often associated with Bach’s “Tocata and Fugue”.
A1	Strings	Spacious and large-scale string ensemble. Try combining this voice with piano in DUAL mode.

### YDP-140

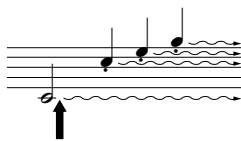
Key	Voice Name	Description
C1	Grand Piano 1	Recorded samples from a full concert grand piano. Perfect for classical compositions as well as any other style that requires acoustic piano.
C♯1	Grand Piano 2	Spacious and clear piano with bright reverb. Good for popular music.
D1	E.Piano	An electronic piano sound created by FM synthesis. Good for popular music.
D♯1	Harpichord	The definitive instrument for baroque music. Since the strings of a harpsichord are plucked, there is no touch response.
E1	Church Organ	This is a typical pipe organ sound (8 feet + 4 feet + 2 feet). Good for sacred music from the Baroque period.
F1	Strings	Spacious and large-scale string ensemble. Try combining this voice with piano in DUAL mode.

# Using the Pedals

## Damper (Right) Pedal

The damper pedal functions in the same way as a damper pedal on an acoustic piano. When the damper pedal is pressed, notes sustain longer. Releasing the pedal immediately stops (damps) any sustained notes.

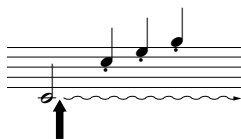
The damper pedal features a half-pedal function.



When you press the damper pedal here, the notes you play before you release the pedal sustain longer.

## Sostenuto (Center) Pedal

If you play a note or chord on the keyboard and press the sostenuto pedal while the note(s) are held, those notes will sustain as long as you hold the pedal (as if the damper pedal had been pressed) but all subsequently played notes will not be sustained. This makes it possible to sustain a chord, for example, while other notes are played “staccato.”



When you press the sostenuto pedal here while holding the note, the note will sustain as long as you hold the pedal.

## Soft (Left) Pedal

The soft pedal reduces the volume and slightly changes the timbre of notes played while the pedal is pressed. The soft pedal will not affect notes that are already playing when it is pressed.

If the damper pedal doesn't work, make sure that the pedal cord is properly plugged into the main unit (page 37).

### What is the half-pedal function?

This function allows the sustain length to vary depending on how far the pedal is pressed. The farther you press the pedal, the more the sound sustains.

For example, if you press the damper pedal and all notes you are playing sound a bit murky and loud with too much sustain, you can release the pedal half way to subdue the sustain (murkiness).

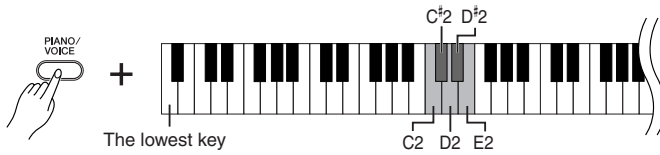
Organ and string voices will continue to sound for as long as the sostenuto pedal is depressed.

# Adding Variations to the Sound – Reverb

This control enables you to select various digital reverb effects that add extra depth and expression to the sound to create a realistic acoustic ambience.

## Procedure

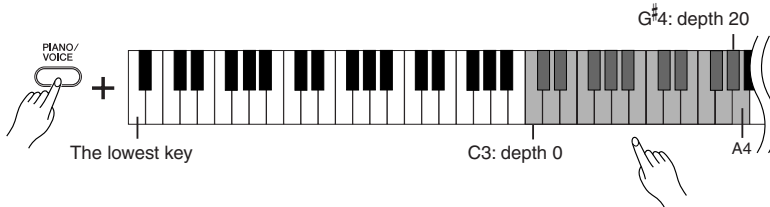
While holding down the [PIANO/VOICE] button, press one of the C2–E2 keys to select a reverb type.



Key	Reverb Type	Description
C2	Room	This setting adds a continuous reverb effect to the sound, similar to the acoustic reverberation you would hear in a room.
C#2	Hall1	For a “bigger” reverb sound, use the HALL 1 setting. This effect simulates the natural reverberation of a small-size concert hall.
D2	Hall2	For a truly spacious reverb sound, use the HALL 2 setting. This effect simulates the natural reverberation of a large concert hall.
D#2	Stage	Simulates the reverb of a stage environment.
E2	Off	No effect is applied.

## Adjusting Reverb Depth

Adjust the reverb depth for the selected voice by pressing one of the C3–G#4 keys while holding down the [PIANO/VOICE] button. The depth range is from 0 through 20.



The depth value increases as you press higher keys.

While holding down the [PIANO/VOICE] button, press the A4 key to set the reverb to the depth most suitable for the selected voice.

The default reverb type (including OFF) and depth settings are different for each voice.

depth 0: no effect  
depth 20: maximum reverb depth

# Layering Two Voices (Dual mode)

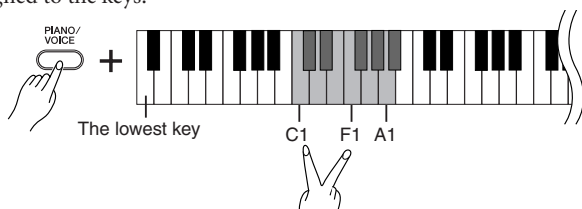
You can layer two voices and play them simultaneously to create a thicker and more supple sound.

## Procedure

### 1. Engage Dual mode.

While holding down the [PIANO/VOICE] button, press two keys in the range of C1 through A1 (YDP-160) or C1 through F1 (YDP-140) simultaneously (or press and hold down one key, then press another) to select the two desired voices.

Refer to “Selecting Voices” (page 19) for information on the voices that are assigned to the keys.



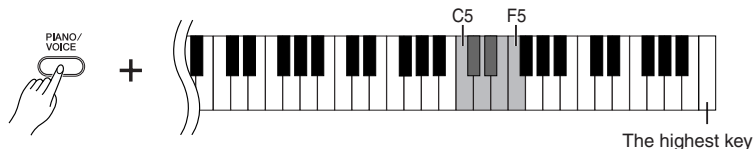
The voice assigned to the lower key will be designated as Voice 1, and the voice assigned to the higher key will be designated as Voice 2.

You can make the following settings for Voices 1 and 2 in Dual mode:

#### Setting the Octave

You can shift the pitch up and down in octave steps for Voice 1 and Voice 2 independently. Depending on which voices you combine in Dual mode, the combination may sound better if one of the voices is shifted up or down an octave.

While holding down the [PIANO/VOICE] button, press one of the C5–F5 keys.



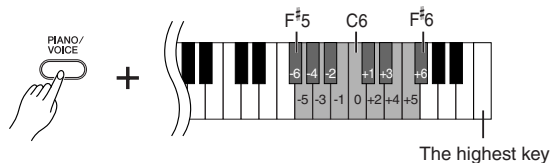
C5 key: -1 (Voice 1),    C#5 key: 0 (Voice 1),    D5 key: +1 (Voice 1),  
 D#5 key: -1 (Voice 2),    E5 key: 0 (Voice 2),    F5 key: +1 (Voice 2)

#### Setting the Balance

You can adjust the volume balance between two voices. For example, you can set one voice as the main voice with a louder setting, and make the other voice softer.

While holding down the [PIANO/VOICE] button, press one of the F#5–F#6 keys.

A setting of “0” produces an equal balance between the two Dual mode voices. Settings below “0” increases the volume of Voice 2 in relation to Voice 1, and settings above “0” increases the volume of Voice 1 in relation to Voice 2.



You cannot assign the same voice to Voice 1 and Voice 2 simultaneously in Dual mode.

#### Reverb in Dual Mode

The reverb type assigned to Voice 1 will take priority. (If the reverb assigned to Voice 1 is set to OFF, the reverb assigned to Voice 2 will be in effect.)

### 2. Exit Dual mode and return to normal play mode.

While holding down the [PIANO/VOICE] button, press one of the C1–A1 (YDP-160) or C1–F1 (YDP-140) keys.

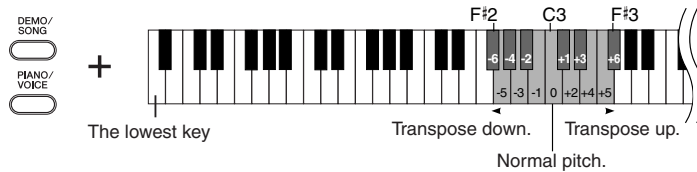
# Transposition

Your digital piano's Transpose function makes it possible to shift the pitch of the entire keyboard up or down in semitone intervals up to a maximum of six semitones, and lets you easily match the pitch of the keyboard to the range of a singer or other instruments.

For example, if you set the transposition amount to "5," playing key C produces pitch F. In this way, you can play a song as though it were in C major, and this instrument will transpose it to F major.

## Procedure

While holding down the [DEMO/SONG] and [PIANO/VOICE] buttons, press one of the F#2–F#3 keys to set the desired amount of transposition.



[DEMO/SONG] + [PIANO/VOICE] + C3 key:

Plays normal keyboard pitch.

[DEMO/SONG] + [PIANO/VOICE] + B2 key (white key to the left of C3):

Transposes the pitch down by one semitone.

[DEMO/SONG] + [PIANO/VOICE] + B<sup>b</sup>2 key (the first black key to the left of C3):

Transposes the pitch down a whole tone (two semitones).

[DEMO/SONG] + [PIANO/VOICE] + F#2 key:

Transposes the pitch down by six semitones.

[DEMO/SONG] + [PIANO/VOICE] + C#3 key (black key to the right of C3):

Transposes the pitch up by one semitone.

[DEMO/SONG] + [PIANO/VOICE] + D3 key (the first white key to the right of C3):

Transposes the pitch up a whole tone (two semitones).

[DEMO/SONG] + [PIANO/VOICE] + F#3 key:

Transposes the pitch up by six semitones.

### Transpose:

Changing the key signature. On this instrument, transposing shifts the pitch of the entire keyboard.

# Fine-tuning the Pitch

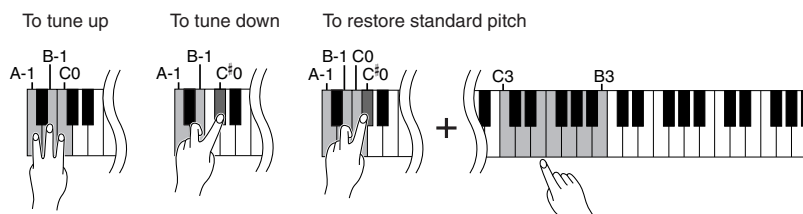
You can fine-tune the pitch of the entire instrument. This function is useful when you play the digital piano along with other instruments or CD music.

## Procedure

**To tune up (in about 0.2Hz steps):** Press and hold down the A–1, B–1 and C0 keys simultaneously, and press any key between C3 and B3.

**To tune down (in about 0.2Hz steps):** Press and hold down the A–1, B–1 and C#0 keys simultaneously, and press any key between C3 and B3.

**To restore standard pitch:** Press and hold down the A–1, B–1, C0 and C#0 keys simultaneously, and press any key between C3 and B3.



**Setting range:** 427.0–453.0 Hz

**Standard pitch:** 440.0 Hz

### Hz (Hertz):

This unit of measurement refers to the frequency of a sound and represents the number of times a sound wave vibrates in a second.

# Using the Metronome

Your digital piano features a built-in metronome (a device that keeps an accurate tempo) that is convenient for practicing.

## Procedure

### 1. Start the metronome.

Press the [METRONOME] button to turn on the metronome.

#### Determines the Time Signature

While holding down the [METRONOME] button, press one of the C3–F3 keys.



C3 key: No downbeat, C#3 key: 2/4, D3 key: 3/4, D#3 key: 4/4, E3 key: 5/4, F3 key: 6/4

#### Adjusting the Tempo

You can adjust the metronome tempo by pressing the [+] or [-] button while the metronome is playing.

The tempo of the metronome and preset song playback can be set from 32 to 280 beats per minute.

A number is assigned to each of the following keys.

While holding down the [METRONOME] button, press a sequence of C4–A4 keys to specify a three-digit number.

Select a number starting from the left-most digit. For example, to set the tempo “95,” press the C4 (0), A4 (9) and F4 (5) keys in sequence.

#### Increasing the tempo value in steps of one:

While the metronome is playing, press the [+] button. Alternatively, press and hold down the [METRONOME] button, and press the C#5 key.

#### Decreasing the tempo value in steps of one:

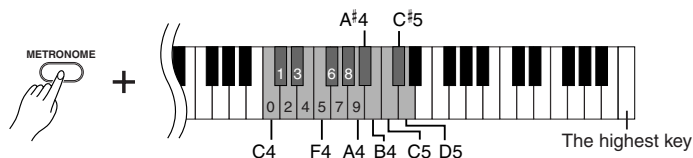
While the metronome is playing, press the [-] button. Alternatively, press and hold down the [METRONOME] button, and press the B4 key.

#### Increasing the tempo value in steps of ten:

Press and hold down the [METRONOME] button, and press the D5 key.

#### Decreasing the tempo value in steps of ten:

Press and hold down the [METRONOME] button, and press the A#4 key.



#### Resetting the tempo to default:

While the metronome is playing, press the [+] and [-] buttons simultaneously.

Alternatively, press and hold down the [METRONOME] button, and press the C5 key.

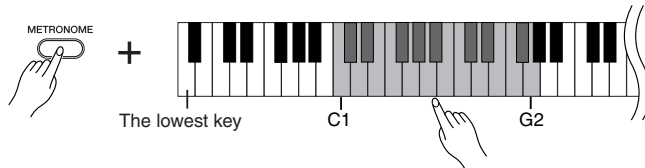
To reset the tempo to default value of 120 while the metronome is stopped, press the [METRONOME], [+] and [-] buttons simultaneously.



### Adjusting the Volume

You can change the volume of the metronome sound.

While holding down the [METRONOME] button, press one of the C1–G2 keys to determine the volume.



The volume level increases as you press higher keys.

## 2. Stop the metronome.

Turn off the metronome by pressing the [METRONOME] button.

## Adjusting the Keyboard Touch (Touch Sensitivity)

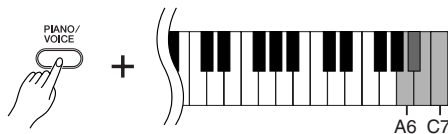
You can adjust the volume level, which changes depending on how fast or strong you hit the keys (keyboard touch). Select an appropriate keyboard touch for the voices, songs or your taste.

This setting is disabled with some voices, such as an organ sound.

Key	Touch Sensitivity Setting	Description
A6	Fixed	The volume level does not change at all regardless of whether you play the keyboard soft or hard.
A#6	Soft	The volume level does not change much when you play the keyboard soft or hard.
B6	Medium	This is the standard piano touch response. (This is the default setting.)
C7	Hard	The volume level changes very widely from pianissimo to fortissimo to facilitate dynamic and dramatic expression. You have to hit the keys hard to produce a loud sound.

### Procedure

While holding down the [PIANO/VOICE] button, press one of the A6–C7 keys to select the desired touch sensitivity.



# Recording your Performance

Your digital piano's recording function enables you to record your performance of one song. The recorded performance is called the "user song." Follow the steps below to record and play back your performance.

## Audio recording and data recording

Cassette tape recordings use a different data format than this instrument. Cassette tapes record audio signals. On the other hand, this instrument records information about the notes and voices being played and about the timing and tempo of those notes. It does not record audio signals. When you play back a recorded performance on this instrument, its internal tone generator reproduces the sound according to the recorded information.

The user song is saved as a Standard MIDI file (SMF). (page 32)

To transfer and play the user song on another device, you must have Musicsoft Downloader (page 32) installed on your computer.

## ⚠ CAUTION

**Be careful not to erase the recorded data:**

After you record a performance on this instrument, the [PLAY] button indicator lights up. When this indicator remains on, recording another performance will erase the recorded data.

## Procedure

### 1. Select a voice and other settings for the recording.

While holding down the [PIANO/VOICE] button, press one of the C1–A1 (YDP-160) or C1–F1 (YDP-140) keys to select the desired voice(s). (See page 19.)

If you desire, you can select other settings, such as the reverb setting.

Use the [MASTER VOLUME] control to adjust the volume to a comfortable listening level. You can also use the [MASTER VOLUME] control to adjust the volume level during playback.

You cannot engage Record mode while a demo song is playing.

#### Recording capacity

"Recording capacity" is the maximum amount of performance data that you can record. This instrument's recording capacity is 100 KB (approximately 11,000 notes).

### 2. Engage Record mode.

Press the [REC] button.



The [REC] button indicator flashes. (It may take a moment before the indicator starts to flash.)

Press the [REC] button again if you wish to cancel Record mode.

#### Changing the settings for the recorded user song

If you wish to change the voice of the user song, before pressing the [REC] button, select a different voice. Then, press the [REC] button to engage Record mode. Without playing the keyboard, press the [REC] button again to apply the change to the song. If you wish to change the tempo, do so after you engage Record mode.

### 3. Start recording.

Recording starts as soon as you play the keyboard.

Alternatively, press the [PLAY] button to start recording.

The [REC] button indicator lights up steadily, and the [PLAY] button indicator flashes at the current tempo.

You can save the recorded user song to a computer. You can also load the user song data from a computer and play it back on this instrument. (See page 32.)

### 4. Stop recording.

Press the [REC] button.

## ⚠ CAUTION

Do not turn off the power to this instrument while it is recording the data in its internal memory (that is, while the [REC] and [PLAY] button indicators are flashing). Otherwise, all recorded data, including the data being recorded, will be lost.

# Playing Back Recorded Performance Data

## Procedure

### 1. Start the playback.

Press the [PLAY] button.



The [PLAY] button indicator flashes at the current tempo.

### 2. Stop the playback.

When the user song finishes playing back, this instrument automatically returns to the previous mode.

To stop the playback, press the [PLAY] button.

While the user song is playing, press and hold down the [METRONOME] button and press the [+] or [-] button to change the song tempo.

If you are using the metronome (page 24) during demo song playback, press the [+] or [-] button to change the song tempo.

You can also press keys to change the tempo. (page 24)

# Erasing Recorded Performance Data

You can erase the recorded user song.

## Procedure

### 1. Engage Record mode.

Press the [REC] button.



The [REC] button indicator flashes.

### 2. Erase the song.

Press and hold down the [PLAY] button, then press the [REC] button.

The recorded user data is erased.

To cancel the erase operation, press the [REC] button again.

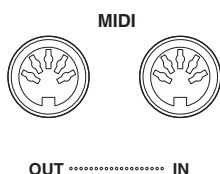
# Connecting MIDI Instruments

Your digital piano features MIDI connectors. Using the MIDI functions enables you to access a variety of musical genres.

## About MIDI

MIDI (Musical Instrument Digital Interface) is a global format standard for performance data transmission and reception between electronic musical instruments.

Connecting musical instruments that support MIDI via MIDI cables enables you to transfer performance and setting data between multiple musical instruments. Using MIDI, you can also achieve more advanced performances than using just a single musical instrument.



Since the transmission or reception of MIDI data can vary depending on the type of MIDI device, each MIDI device can transmit or receive only data and commands that are compatible with other connected MIDI devices. Please check the “MIDI Implementation Chart” on the web (please refer to “Data List” on page 6) to find out what MIDI data and commands your devices can transmit or receive.

You need a dedicated MIDI cable (optional) to make a MIDI connection. You can purchase MIDI cables at musical instrument stores.

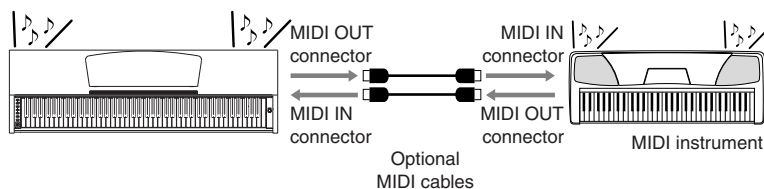
If you connect a very long MIDI cable, data transmission errors may result. Use a MIDI cable of 15 meters or less.

Before connecting a MIDI device to this instrument, first turn off the power to both this instrument and the MIDI device. After connecting them, turn on the power to the MIDI device first, then turn on the power to this instrument.

## MIDI’s Capability

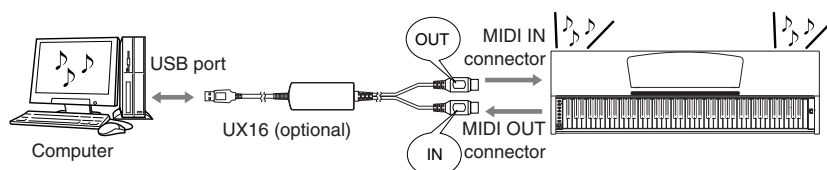
MIDI functions enable you to transfer performance data between MIDI devices, load song data from a connected computer to your instrument, and transmit and save user song data to a computer.

### ● Transferring performance data to and from another MIDI device



You cannot transmit the voice demo songs and the 50 piano preset songs from this instrument to another MIDI device.

### ● Transferring MIDI data to and from a computer



For more information on the transmission and reception of song data, refer to “Transmitting Song Data between the Computer and the Digital Piano” on page 32.

# Connecting the Digital Piano to a Computer

Connecting the digital piano to a computer using the MIDI connectors enables you to transfer MIDI data between the piano and the computer. This connection requires that you have appropriate application software installed on the computer.

Also, installing Musicsoft Downloader on the computer enables you to transfer song data between the piano and the computer. (page 32)

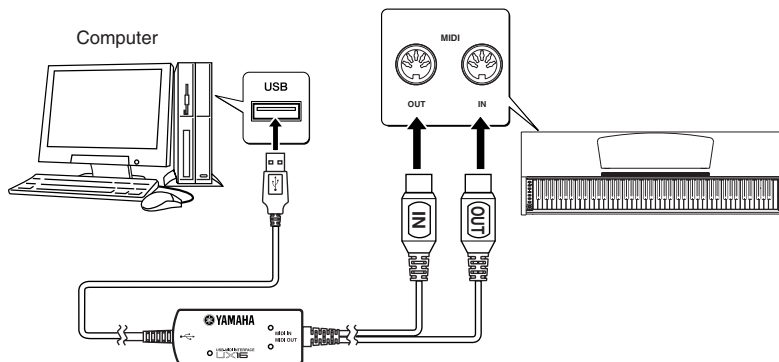
When this instrument is used as a tone module, performance data with voices that are not found on this instrument will not be played correctly.

Before you connect this instrument to a computer, first turn off the power to both this instrument and the computer. After you make the connections, turn on the power to the computer first, then turn on the power to this instrument.

## An example of connecting this instrument to the USB port on a computer

Use an optional USB-MIDI interface (such as a Yamaha UX16) to connect this instrument's MIDI connectors to the computer's USB port.

You must install the USB-MIDI driver on the computer correctly so that you can control your MIDI instrument from the computer. The USB-MIDI driver is a software application that enables MIDI signals to be transmitted between the sequence software on the computer and the connected MIDI instrument. For more information, refer to the user's manual that came with the USB interface device.



## Connecting this instrument to the computer using a USB-MIDI interface

Turn off the power to this instrument. Connect the MIDI OUT cable from the USB-MIDI interface to this instrument's MIDI IN connector, and connect the MIDI IN cable from the USB-MIDI interface to this instrument's MIDI OUT connector.

The connection between this instrument and the computer has now been established.

Turn on the power to this instrument and try to transfer MIDI data to or from the computer.

For more information on connecting the UX16, refer to the user's manual that came with the UX16.

You must install a software application on the computer to be able to transfer MIDI data between this instrument and a computer.

# MIDI Functions

You can make detailed adjustments to MIDI settings.

## MIDI Transmit/Receive Channel Selection

In any MIDI control setup, the MIDI channels of the transmitting and receiving equipment must be matched for proper data transfer.

This parameter enables you to specify the channel on which the digital piano transmits or receives MIDI data.

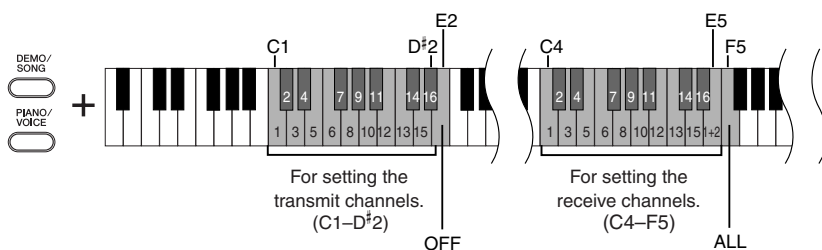
### Procedure

#### Setting the transmit channel

While holding down the [DEMO/SONG] and [PIANO/VOICE] buttons simultaneously, press one of the C1–E2 keys.

#### Setting the receive channel

While holding down the [DEMO/SONG] and [PIANO/VOICE] buttons simultaneously, press one of the C4–F5 keys.



In Dual mode, Voice 1 data is transmitted on its specified channel and Voice 2 data is transmitted on the next greater channel number relative to the specified channel. In this mode, no data is transmitted if the transmit channel is set to “OFF”

#### MIDI receive channel is ALL:

A “Multi-timbre” Receive mode is available. In this mode, this instrument receives different parts from the connected MIDI device on any or all 16 MIDI channels and plays multi-channel song data.

#### MIDI receive channel is 1+2:

A “1+2” Receive mode is available. It allows simultaneous reception on channels 1 and 2 only, enabling this instrument to play 1 and 2 channel song data received from a music computer or sequencer.

Program change and other like channel messages received will not affect this instrument’s panel settings or the notes you play on the keyboard.

Data for the demo song and 50 piano preset songs cannot be transmitted via MIDI.

## Local Control ON/OFF

“Local Control” refers to the fact that, normally, the keyboard of this digital piano controls its internal tone generator, allowing the internal voices to be played directly from the keyboard. This situation is “Local Control On,” since the internal tone generator is controlled locally by its own keyboard.

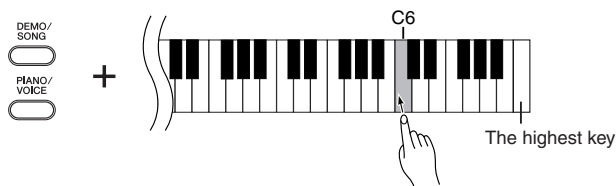
Local control can be turned OFF, however, so that the keyboard of this digital piano does not play the internal voices, but the appropriate MIDI information is still transmitted via the MIDI OUT connector when notes are played on the keyboard. At the same time, the internal tone generator responds to MIDI information received via the MIDI IN connector.

### CAUTION

When Local control is turned OFF, the keyboard of this instrument does not play the internal voices.

### Procedure

While holding down the [DEMO/SONG] and [PIANO/VOICE] buttons simultaneously, press the C6 key. Pressing the C6 key repeatedly toggles between Local Control On and Off.



## Program Change ON/OFF

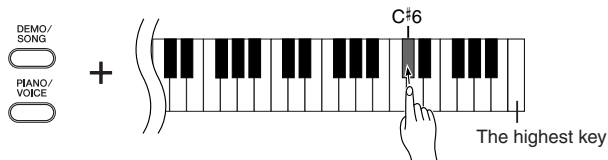
Normally this instrument will respond to MIDI program change numbers received from an external keyboard or other MIDI device, causing the correspondingly-numbered voice to be selected on the corresponding channel (the keyboard voice does not change). This instrument will normally also send a MIDI program change number whenever one of its voices is selected, causing the correspondingly-numbered voice or program to be selected on the external MIDI device if the device is set up to receive and respond to MIDI program change numbers.

This function makes it possible to cancel program change number reception and transmission so that voices can be selected on this instrument without affecting the external MIDI device.

For information on program change numbers for each voice, check the MIDI Data Format on the web (please refer to "Data List" on page 6).

### Procedure

While holding down the [DEMO/SONG] and [PIANO/VOICE] buttons simultaneously, press the C $\sharp$ 6 key. Pressing the C $\sharp$ 6 key repeatedly toggles between Program Change On and Off.



## Control Change ON/OFF

MIDI Control Change data refers to MIDI information related to performance expression (such as damper pedal information).

You can transmit MIDI Control Change data from this instrument to control the operation of the connected MIDI device. (For example, if you operate this instrument's damper pedal, this instrument will transmit MIDI Control Change data.)

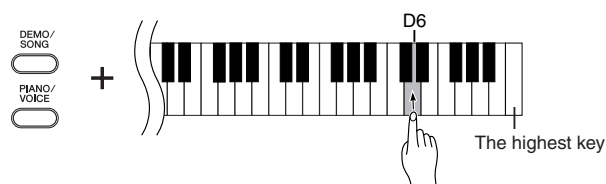
On the other hand, MIDI performance data of this instrument will respond to MIDI Control Change data received from the connected MIDI device. (At this time, the voice you are playing on the keyboard will not be affected by the Control Change data.)

The ability to transmit and receive MIDI Control Change data is sometimes very useful. Turn Control Change On if it is convenient for you to have this capability. Turn Control Change Off if you rather prefer not to have this capability.

For information on control changes that can be used with this instrument, check the MIDI Data Format on the web (please refer to "Data List" on page 6).

### Procedure

While holding down the [DEMO/SONG] and [PIANO/VOICE] buttons simultaneously, press the D6 key. Pressing the D6 key repeatedly toggles between Control Change On and Off.



# Transmitting Song Data between the Computer and the Digital Piano

In addition to the demo songs and the 50 piano preset songs stored in this instrument, you can play data for other song by loading it from a connected computer.

To be able to use this function, you must first download Musicsoft Downloader from Yamaha website at the following URL, and install it on your computer.

<http://music.yamaha.com/download/>

## ● System requirement for Musicsoft Downloader

- OS : Windows 2000/XP Home Edition/XP Professional/Vista  
\* For XP and Vista, the 32-bit version is supported, but not the 64-bit version.
- CPU : Intel® Pentium® or Celeron® chip of 500MHz or higher
- Memory : 256MB or higher
- Available hard disk capacity : 128MB or higher (512MB or higher recommended)
- Display : 800 × 600 High Color (16-bit)
- Others : Microsoft® Internet Explorer® version 5.5 or higher

You can download free Musicsoft Downloader from the Yamaha website.

Do not manually change the file name by using a computer; doing so will render the file unable for loading on the instrument.

## Loading Song Data from a Computer to the Digital Piano

You can load piano song data from a computer to this instrument. Also, after you record your performance on this instrument and save the recording to a computer, you can load the recording back to the instrument.

This instrument can read MIDI data in SMF Format 0. However, if such data includes any information for functions that are not supported by this instrument, the instrument will not play the data correctly.

For more information on loading song data from a computer to this instrument, please refer to “Transferring Data Between the Computer and Instrument (for unprotected data)” in the Help file that came with Musicsoft Downloader.

## ● Requirements for song data that can be loaded from a computer to this instrument

- Number of songs : Up to 10 songs plus one user song
- Maximum data size : 337KB plus 100KB(user)
- Data format : SMF Format 0

You can play the loaded Songs. (page 18)

### CAUTION

Do not turn off the power to this instrument or unplug the instrument during data transmission. Otherwise, the data being transmitted will not be saved. Furthermore, flash memory operation may become unstable, causing the entire memory to be erased when you turn the power to the instrument on or off.

### SMF (Standard MIDI File)

This file features a popular sequence format (for recording performance data). This file is sometimes called a “MIDI file.” The file extension is MID.

You can play the SMF format song using music software or a sequencer that supports SMF. This instrument also supports SMF.

While Musicsoft Downloader is operating, the [REC] and [PLAY] button indicators on the piano light up.

Before you use this instrument, close the Musicsoft Downloader window and quit the application.



# Transmitting Song Data from the Digital Piano to a Computer

Microsoft Downloader enables you to transfer the user song in this instrument to a computer. For more information on transferring song data from this instrument to a computer, please refer to “Transferring Data Between the Computer and Instrument (for unprotected data)” in the Help file that came with Microsoft Downloader.

## ● Data you can transfer from this instrument to a computer

- |   |                 |
|---|-----------------|
| • User song   | : USERSONG1.MID |
| • Back up data  | : 08YDP.BUP     |
| • Song data (once it has been loaded from the computer) |                 |

# Backing up Data and Initializing the Settings

## Backing up data to flash memory

The following items will be stored in flash memory on this instrument. This data will be kept after you turn off the power to the instrument.

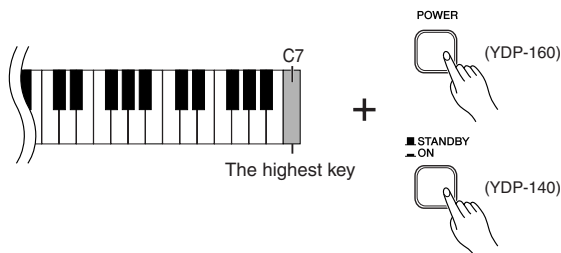
Backup data
Metronome volume
Metronome time signature
Touch sensitivity
Tuning
Recorded performance data (user song)
Song data once loaded from a computer

## Initializing the settings

When you initialize the settings, all data, excluding the songs loaded from a computer, will be initialized and reset to the factory default settings.

While holding down the C7 (the highest) key, turn on the power to the instrument.

- ⇒ The data (excluding the data for the songs loaded from a computer) will be initialized.



### ⚠ CAUTION

Do not turn off the power to this instrument while it is initializing the data in its internal memory (that is, while the [REC] and [PLAY] button indicators are flashing).

### ⚠ CAUTION

Please note that initializing the settings will delete your recorded song (user song).

Backup data for metronome volume and time signature, touch sensitivity, tuning, and user song is included in the file named “08YDP.BUP” and stored in this instrument. You can transfer the backup data between the instrument and a computer.

If this instrument somehow becomes disabled or malfunctions, turn off the power to the instrument, then perform the initialization procedure.

# Troubleshooting

---

Problem	Possible Cause and Solution
This instrument does not turn on.	This instrument has not been plugged in properly. (YDP-160) Securely insert the female plug into the socket on this instrument, and the male plug into a proper AC outlet (page 13). (YDP-140) Securely insert the adaptor plug into the socket on this instrument, and the adaptor plug into a proper AC outlet (page 13).
Noise from the speakers or headphones is audible.	The noise may be due to interference caused by the use of a mobile phone in close proximity to this instrument. Turn off the mobile phone, or move it further away from this instrument.
The overall volume is low, or no sound is heard.	<ul style="list-style-type: none"> <li>• The Master Volume is set too low. Set it to an appropriate level using the [MASTER VOLUME] control.</li> <li>• Make sure a pair of headphones is not connected to the headphones jack.</li> <li>• Make sure that Local Control (page 30) is ON.</li> </ul>
The damper pedal has no effect.	The pedal cord may not be properly connected. Make sure to securely insert the pedal cord into the [PEDAL] jack (page 37).

## Options

---

### BC-100 Bench

A comfortable bench styled to match your Yamaha digital piano.

### UX16

USB-MIDI interface

### HPE-150

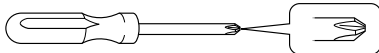
Headphones

# Keyboard Stand Assembly

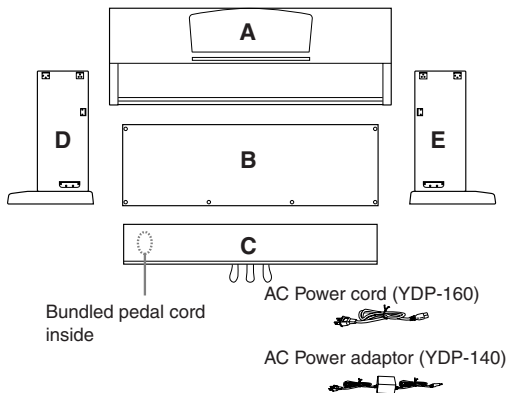
## ⚠ CAUTION

- Be careful not to confuse parts, and be sure to install all parts in the correct direction. Please assemble in accordance with the sequence given below.
- Assembly should be carried out by at least two persons.
- Assemble the stand on the flat floor surface.
- Be sure to use the included screws only, and insert screws of the correct size in the correct hole locations. Use of incorrect screws can cause damage or malfunction of the product.
- Be sure to tighten up all screws upon completing assembly of each unit.
- To disassemble, reverse the assembly sequence given below.

Have a Phillips-head (+) screwdriver ready



Remove all parts from the package and make sure you have all of the items.



### Assembly Parts

6 × 20 mm long screws × 4 ① 4 × 20 mm tapping screws × 4 ④



6 × 16 mm short screws × 4 ② Cord holders × 2



4 × 12 mm thin screws × 2 ③



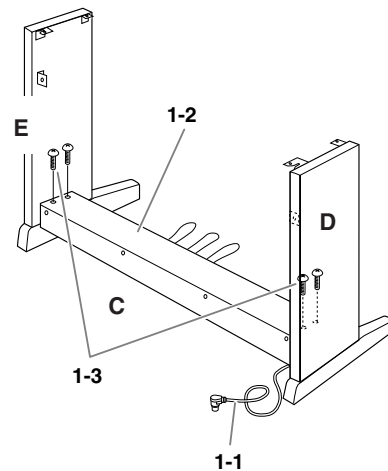
### Headphone hanger set (YDP-160 only)

4 × 10 mm thin screws × 2 ⑤ Headphone hanger



## 1. Attach (finger-tighten) C to D and E.

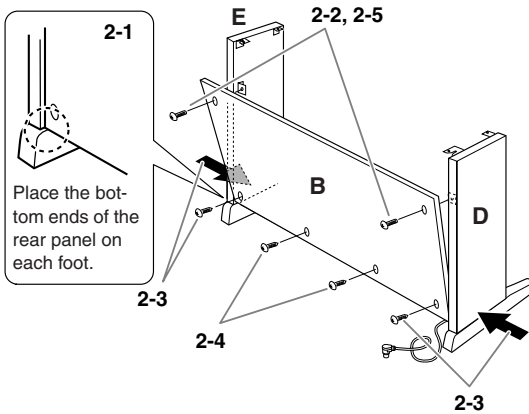
- 1-1 Untie and straighten out the bundled pedal cord. Don't discard the vinyl tie. You will need it later in step 6.
- 1-2 Align D and E with each end of C.
- 1-3 Attach D and E to C by finger-tightening the long screws ① (6 × 20mm).



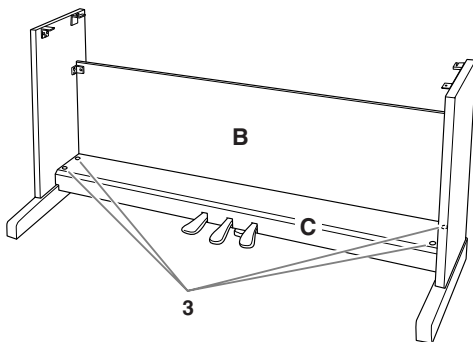
## 2. Attach B.

Depending on the model of digital piano you purchased, the surface color of one side of B may be different from the other side. In this case, position B so that the side of the surface color similar to D and E faces the player.

- 2-1 Place the lower side of B on each foot of D and E, then attach the upper side to D and E.
- 2-2 Attach the top of B to D and E by finger-tightening the thin screws ③ (4 × 12mm).
- 2-3 While pushing the lower part of D and E from outside, secure the bottom ends of B using two tapping screws ④ (4 × 20mm).
- 2-4 Insert the other two tapping screws ④ (4 × 20mm) into the other two screw holes to secure B.
- 2-5 Securely tighten the screws on the top of B that were attached in Step 2-2.

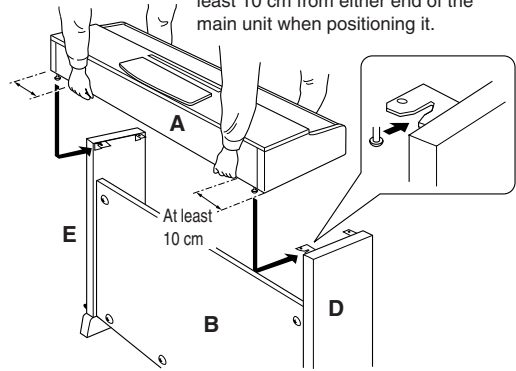


## 3. Securely tighten the screws on C that were attached in Step 1-3.



## 4. Mount A.

Be sure to place your hands at least 10 cm from either end of the main unit when positioning it.

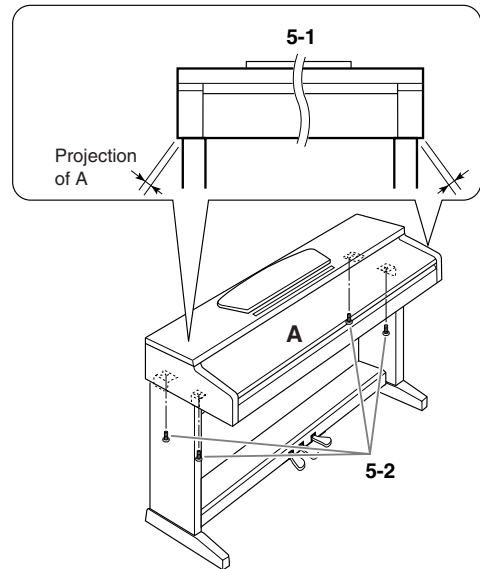


### ⚠ CAUTION

- Fingers can become pinched between the main unit and the rear or side panels, be extra careful so as not to drop the main unit.
- Do not hold the keyboard in any position other than the position shown in the illustration.

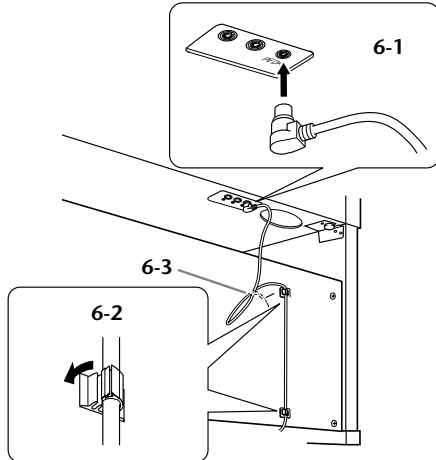
## 5. Secure A.

- 5-1 Adjust the position of A so that the left and right ends of A will project beyond D and E equally when seen from the front.
- 5-2 Secure A by tightening the short screws ② (6 × 16mm) from the front.



## 6. Connect the pedal cord.

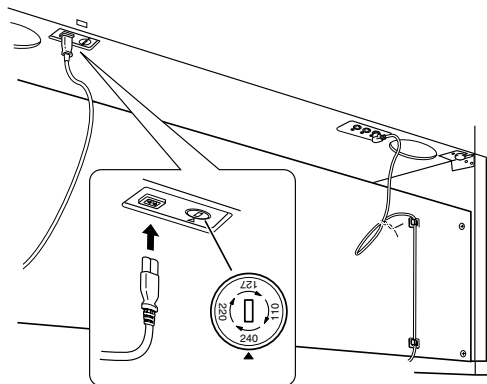
- 6-1 Insert the pedal cord plug to the pedal connector from the rear.
- 6-2 Attach the cord holders to the rear panel as shown, then clip the cord into the holders.
- 6-3 Use a vinyl tie to take up any slack in the pedal cord.



## 7. Connect the power cord (for YDP-160) or power adaptor (for YDP-140) to the unit.

### YDP-160

- 7-1 Set the voltage selector (for models that feature a voltage selector).



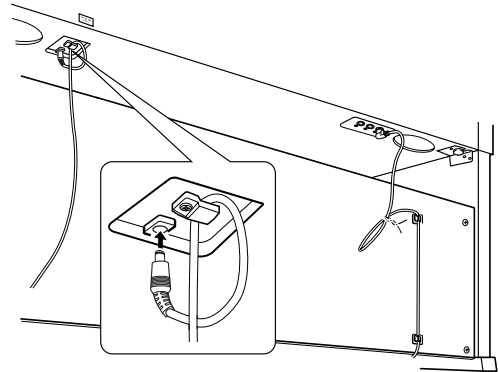
### Voltage Selector

Before connecting the AC power cord, check the setting of the voltage selector which is provided in some areas. To set the selector for 110V, 127V, 220V or 240V main voltages, use a “minus” screwdriver to rotate the selector dial so that the correct voltage for your region appears next to the pointer on the panel. The voltage selector is set at 240V when the unit is initially shipped. After the proper voltage has been selected, connect the AC power cord to the AC IN and an AC wall outlet. A plug adaptor may be also provided in some areas to match the pin configuration of the AC wall outlets in your area.

- 7-2 Connect the plug on the power cord to the rear panel connector.

### YDP-140

- 7-1 Connect the DC plug of the power adaptor to the rear panel connector, and loop cord slack onto the cord hook so that the plug will not be disconnected accidentally.



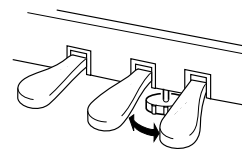
### CAUTION

Do not bend the cord tightly when you hang the cord on the cord hook. Otherwise, a short-circuit or fire may result.

### WARNING

An improper voltage setting can cause serious damage to this instrument or result in improper operation.

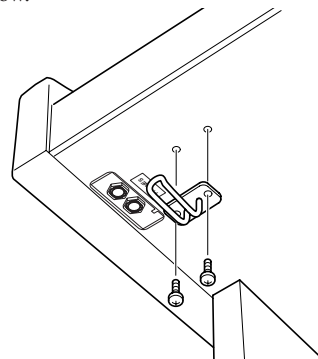
## 8. Set the adjuster.



Rotate the adjuster until it comes in firm contact with the floor surface.

## 9. Attach the headphone hanger. (for YDP-160 only)

Use the included two screws (4 × 10mm) to attach the hanger as shown in the illustration below.



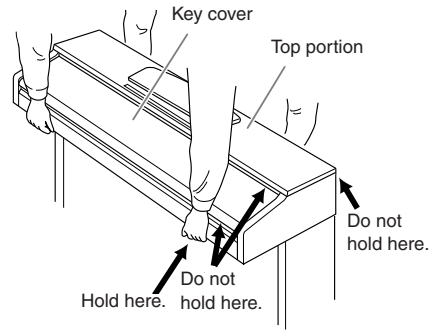
**After completing the assembly, please check the following.**

- **Are there any parts left over?**  
→ Review the assembly procedure and correct any errors.
- **Is this instrument clear of doors and other movable fixtures?**  
→ Move the instrument to an appropriate location.
- **Does this instrument make a rattling noise when you shake it?**  
→ Tighten all screws.
- **Does the pedal box rattle or give way when you step on the pedals?**  
→ Turn the adjuster so that it is set firmly against the floor.
- **Are the pedal and power cords inserted securely into the sockets?**  
→ Check the connection.
- **If the main unit creaks or is otherwise unsteady when you play on the keyboard, refer to the assembly diagrams and retighten all screws.**

When moving the instrument after assembly, always hold the bottom of the main unit.

**CAUTION**

**Do not hold the key cover or top portion. Improper handling can result in damage to the instrument or personal injury.**



# Index

---

## Symbols

+/- .....10

## Numerics

50 Piano Preset Songs .....17

## A

Accessories .....7

AC IN .....11

AC INLET .....11

### Adjust

Keyboard Touch .....25

Reverb Depth .....21

Tempo (metronome) .....24

Volume (metronome) .....25

Assembly .....35–38

AWM .....8

AWM Dynamic Stereo Sampling .....8

## C

Center Pedal .....20

Computer .....29

Connecting a Computer .....29

Control Change .....31

## D

Damper Pedal .....20

DC IN 12V .....11

DEMO/SONG .....10, 16–18

Dual mode .....22

## H

Half-pedal .....20

Headphone .....15

Headphone hanger .....15, 37

## I

Initializing the Settings .....33

## K

Keyboard Stand .....35–37

Key Cover .....12

## L

Layering Two Voices (Dual mode) .....22

Left Pedal .....20

Local Control .....30

## M

MASTER VOLUME .....10, 14

METRONOME .....10, 24

MIDI .....28

MIDI cables .....28

MIDI connectors .....28, 29

MIDI Data Format .....6

MIDI Implementation Chart .....6

MIDI IN/OUT .....11, 28, 29

Music Rest .....12

Musicsoft Downloader .....32

## P

PEDAL .....11, 20, 37

PHONES .....10, 15

PIANO/VOICE .....10, 19

PLAY .....10, 27

Playing Back Recorded Performance Data .....27

POWER .....10, 14

Preset songs → 50 Piano Preset Songs .....17

Program Change .....31

## R

REC .....10, 26

Recording your Performance .....26

Reverb .....21

Right Pedal .....20

## S

SMF .....32

Soft Pedal .....20

Song .....17

Song Playback Channel .....18

Sostenute Pedal .....20

Stand .....35–37

Standard MIDI File .....32

STANDBY/ON .....10

## Index

Start/Stop playback	
50 Piano Preset Songs.....	17
Demo Songs.....	16

## T

Tempo.....	24
Touch Sensitivity.....	25
Transmitting Song Data.....	32
Transporting.....	7
Transposition.....	23
Troubleshooting.....	34

## U

User Song.....	26
----------------	----

## V

Voice.....	19
------------	----



# Appendix/Anhang/Annexe/Apéndice

## Specifications / Technische Daten / Caractéristiques techniques / Especificaciones

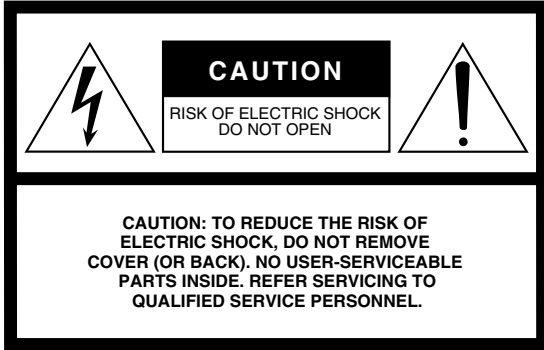
	YDP-160	YDP-140
<b>Keyboard</b>	GH(Graded Hammer) keyboard	GHS(Graded Hammer Standard) keyboard with matte black keytops
<b>Number of keys</b>	88keys (A-1–C7)	
<b>Touch</b>	Hard/Medium/Soft/Fixed	
<b>Sound Source</b>	AWM Dynamic Stereo Sampling	
<b>Polyphony</b>	64 Notes Max.	
<b>Voice Selection</b>	10	6
<b>Effect</b>	Reverb	
<b>Volume</b>	Master Volume	
<b>Controls</b>	Dual, Metronome, Transpose	
<b>Pedal</b>	Damper (with half-pedal effect), Sostenuto, Soft	
<b>Demo Songs</b>	10 Demo Songs, 50 Piano Preset Songs	6 Demo Songs, 50 Piano Preset Songs
<b>Recording Function</b>	One Song 100KB (approx.11,000 notes)	
<b>Recording/Playback Format</b>	Standard MIDI File (SMF) Format 0	
<b>Loading song data from a computer</b>	Up to 10 songs; Total maximum size 337KB	
<b>Jacks/Connectors</b>	MIDI (IN/OUT), PHONES × 2	
<b>Main Amplifiers</b>	20W × 2	6W × 2
<b>Speakers</b>	Oval (12 cm × 6 cm) × 2	
<b>Dimensions [W × D × H] (with music rest)</b>	1357 mm × 420 mm × 819 mm [53-7/16" × 16-9/16" × 32-1/4"] (1357 mm × 420 mm × 973 mm [53-7/16" × 16-9/16" × 38-5/16"])	
<b>Weight</b>	43kg (94 lbs., 13oz)	41kg (90 lbs., 6oz)
<b>Accessories</b>	Owner's Manual, "50 greats for the Piano" (Music Book), Quick Operation Guide, Bench (included or optional depending on locale)	
	AC Power Cord	AC Power Adaptor (included or optional depending on locale) Users within Canada or U.S.: PA-150 or an equivalent Others: PA-5D or an equivalent

\* Specifications and descriptions in this owner's manual are for information purposes only. Yamaha Corp. reserves the right to change or modify products or specifications at any time without prior notice. Since specifications, equipment or options may not be the same in every locale, please check with your Yamaha dealer.

\* Die technischen Daten und Beschreibungen in dieser Bedienungsanleitung dienen nur der Information. Yamaha Corp. behält sich das Recht vor, Produkte oder deren technische Daten jederzeit ohne vorherige Ankündigung zu verändern oder zu modifizieren. Da die technischen Daten, das Gerät selbst oder Sonderzubehör nicht in jedem Land gleich sind, setzen Sie sich im Zweifel bitte mit Ihrem Yamaha-Händler in Verbindung.

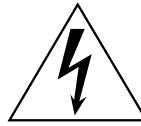
\* Les caractéristiques techniques et les descriptions du mode d'emploi ne sont données que pour information. Yamaha Corp. se réserve le droit de changer ou modifier les produits et leurs caractéristiques techniques à tout moment sans aucun avis. Du fait que les caractéristiques techniques, les équipements et les options peuvent différer d'un pays à l'autre, adressez-vous au distributeur Yamaha le plus proche.

\* Las especificaciones y descripciones de este manual del propietario tienen sólo el propósito de servir como información. Yamaha Corp. se reserva el derecho a efectuar cambios o modificaciones en los productos o especificaciones en cualquier momento sin previo aviso. Puesto que las especificaciones, equipos u opciones pueden no ser las mismas en todos los mercados, solicite información a su distribuidor Yamaha.



The above warning is located on the bottom of the unit.

### Explanation of Graphical Symbols



The lightning flash with arrowhead symbol within an equilateral triangle is intended to alert the user to the presence of uninsulated “dangerous voltage” within the product’s enclosure that may be of sufficient magnitude to constitute a risk of electric shock to persons.



The exclamation point within an equilateral triangle is intended to alert the user to the presence of important operating and maintenance (servicing) instructions in the literature accompanying the product.

## IMPORTANT SAFETY INSTRUCTIONS

- 1 Read these instructions.
- 2 Keep these instructions.
- 3 Heed all warnings.
- 4 Follow all instructions.
- 5 Do not use this apparatus near water.
- 6 Clean only with dry cloth.
- 7 Do not block any ventilation openings. Install in accordance with the manufacturer’s instructions.
- 8 Do not install near any heat sources such as radiators, heat registers, stoves, or other apparatus (including amplifiers) that produce heat.
- 9 Do not defeat the safety purpose of the polarized or grounding-type plug. A polarized plug has two blades with one wider than the other. A grounding type plug has two blades and a third grounding prong. The wide blade or the third prong are provided for your safety. If the provided plug does not fit into your outlet, consult an electrician for replacement of the obsolete outlet.
- 10 Protect the power cord from being walked on or pinched particularly at plugs, convenience receptacles, and the point where they exit from the apparatus.

- 11 Only use attachments/accessories specified by the manufacturer.
- 12 Use only with the cart, stand, tripod, bracket, or table specified by the manufacturer, or sold with the apparatus. When a cart is used, use caution when moving the cart/apparatus combination to avoid injury from tip-over.
- 13 Unplug this apparatus during lightning storms or when unused for long periods of time.
- 14 Refer all servicing to qualified service personnel. Servicing is required when the apparatus has been damaged in any way, such as power-supply cord or plug is damaged, liquid has been spilled or objects have fallen into the apparatus, the apparatus has been exposed to rain or moisture, does not operate normally, or has been dropped.



#### WARNING

TO REDUCE THE RISK OF FIRE OR ELECTRIC SHOCK, DO NOT EXPOSE THIS APPARATUS TO RAIN OR MOISTURE.

## FCC INFORMATION (U.S.A.)

### 1. **IMPORTANT NOTICE: DO NOT MODIFY THIS UNIT!**

This product, when installed as indicated in the instructions contained in this manual, meets FCC requirements. Modifications not expressly approved by Yamaha may void your authority, granted by the FCC, to use the product.

### 2. **IMPORTANT:** When connecting this product to accessories and/or another product use only high quality shielded cables. Cable/s supplied with this product **MUST** be used. Follow all installation instructions. Failure to follow instructions could void your FCC authorization to use this product in the USA.

### 3. **NOTE:** This product has been tested and found to comply with the requirements listed in FCC Regulations, Part 15 for Class "B" digital devices. Compliance with these requirements provides a reasonable level of assurance that your use of this product in a residential environment will not result in harmful interference with other electronic devices. This equipment generates/uses radio frequencies and, if not installed and used according to the instructions found in the users manual, may cause interference harmful to the operation of

other electronic devices. Compliance with FCC regulations does not guarantee that interference will not occur in all installations. If this product is found to be the source of interference, which can be determined by turning the unit "OFF" and "ON", please try to eliminate the problem by using one of the following measures:

Relocate either this product or the device that is being affected by the interference.

Utilize power outlets that are on different branch (circuit breaker or fuse) circuits or install AC line filter/s.

In the case of radio or TV interference, relocate/reorient the antenna. If the antenna lead-in is 300 ohm ribbon lead, change the lead-in to co-axial type cable.

If these corrective measures do not produce satisfactory results, please contact the local retailer authorized to distribute this type of product. If you can not locate the appropriate retailer, please contact Yamaha Corporation of America, Electronic Service Division, 6600 Orangethorpe Ave, Buena Park, CA90620

The above statements apply **ONLY** to those products distributed by Yamaha Corporation of America or its subsidiaries.

\* This applies only to products distributed by YAMAHA CORPORATION OF AMERICA.

(class B)

## YDP-160/140

### **IMPORTANT NOTICE FOR THE UNITED KINGDOM**

#### **Connecting the Plug and Cord**

**IMPORTANT.** The wires in this mains lead are coloured in accordance with the following code:

BLUE : NEUTRAL  
BROWN : LIVE

As the colours of the wires in the mains lead of this apparatus may not correspond with the coloured markings identifying the terminals in your plug proceed as follows:

The wire which is coloured **BLUE** must be connected to the terminal which is marked with the letter **N** or coloured **BLACK**.

The wire which is coloured **BROWN** must be connected to the terminal which is marked with the letter **L** or coloured **RED**.

Making sure that neither core is connected to the earth terminal of the three pin plug.

(2 wires)

- This applies only to products distributed by Yamaha-Kemble Music (U.K.) Ltd.

## YDP-140

### **OBSERVERA!**

Apparaten kopplas inte ur växelströmskällan (nätet) så länge som den är ansluten till vägguttaget, även om själva apparaten har stängts av.

**ADVARSEL:** Nettpæendingen til dette apparat er IKKE afbrudt, så længe netledningen sidder i en stikkontakt, som er tændt — også selvom der er slukket på apparatets afbryder.

**VAROITUS:** Laitteen toisiopiiriin kytketty käyttökytin ei irroita koko laitetta verkosta.

(standby)

For details of products, please contact your nearest Yamaha representative or the authorized distributor listed below.

Pour plus de détails sur les produits, veuillez-vous adresser à Yamaha ou au distributeur le plus proche de vous figurant dans la liste suivante.

Die Einzelheiten zu Produkten sind bei Ihrer unten aufgeführten Niederlassung und bei Yamaha Vertragshändlern in den jeweiligen Bestimmungsländern erhältlich.

Para detalles sobre productos, contacte su tienda Yamaha más cercana o el distribuidor autorizado que se lista debajo.

## NORTH AMERICA

### CANADA

**Yamaha Canada Music Ltd.**  
135 Milner Avenue, Scarborough, Ontario,  
M1S 3R1, Canada  
Tel: 416-298-1311

### U.S.A.

**Yamaha Corporation of America**  
6600 Orangethorpe Ave., Buena Park, Calif. 90620,  
U.S.A.  
Tel: 714-522-9011

## CENTRAL & SOUTH AMERICA

### MEXICO

**Yamaha de México S.A. de C.V.**  
Calz. Javier Rojo Gómez #1149,  
Col. Guadalupe del Moral  
C.P. 09300, México, D.F., México  
Tel: 55-5804-0600

### BRAZIL

**Yamaha Musical do Brasil Ltda.**  
Rua Joaquim Floriano, 913 - 4º andar, Itaim Bibi,  
CEP 04534-013 São Paulo, SP. BRAZIL  
Tel: 011-3704-1377

### ARGENTINA

**Yamaha Music Latin America, S.A.**  
**Sucursal de Argentina**  
Olga Cossetini 1553, Piso 4 Norte  
Madero Este-C1107CEK  
Buenos Aires, Argentina  
Tel: 011-4119-7000

### PANAMA AND OTHER LATIN AMERICAN COUNTRIES/ CARIBBEAN COUNTRIES

**Yamaha Music Latin America, S.A.**  
Torre Banco General, Piso 7, Urbanización Marbella,  
Calle 47 y Aquilino de la Guardia,  
Ciudad de Panamá, Panamá  
Tel: +507-269-5311

## EUROPE

### THE UNITED KINGDOM

**Yamaha Music U.K. Ltd.**  
Sherbourne Drive, Tilbrook, Milton Keynes,  
MK7 8BL, England  
Tel: 01908-366700

### IRELAND

**Danfay Ltd.**  
61D, Sallynoggin Road, Dun Laoghaire, Co. Dublin  
Tel: 01-2859177

### GERMANY

**Yamaha Music Central Europe GmbH**  
Siemensstraße 22-34, 25462 Rellingen, Germany  
Tel: 04101-3030

### SWITZERLAND/LIECHTENSTEIN

**Yamaha Music Central Europe GmbH,  
Branch Switzerland**  
Seefeldstrasse 94, 8008 Zürich, Switzerland  
Tel: 01-383 3990

### AUSTRIA

**Yamaha Music Central Europe GmbH,  
Branch Austria**  
Schleiergasse 20, A-1100 Wien, Austria  
Tel: 01-60203900

### CZECH REPUBLIC/SLOVAKIA/ HUNGARY/SLOVENIA

**Yamaha Music Central Europe GmbH,  
Branch Austria, CEE Department**  
Schleiergasse 20, A-1100 Wien, Austria  
Tel: 01-602039025

### POLAND

**Yamaha Music Central Europe GmbH  
Sp.z o.o. Oddział w Polsce**  
ul. 17 Stycznia 56, PL-02-146 Warszawa, Poland  
Tel: 022-868-07-57

### THE NETHERLANDS/ BELGIUM/LUXEMBOURG

**Yamaha Music Central Europe GmbH,  
Branch Benelux**  
Clarissenhof 5-b, 4133 AB Vianen, The Netherlands  
Tel: 0347-358 040

### FRANCE

**Yamaha Musique France**  
BP 70-77312 Marne-la-Vallée Cedex 2, France  
Tel: 01-64-61-4000

### ITALY

**Yamaha Musica Italia S.P.A.**  
Viale Italia 88, 20020 Lainate (Milano), Italy  
Tel: 02-935-771

### SPAIN/PORTUGAL

**Yamaha Música Ibérica, S.A.**  
Ctra. de la Coruna km. 17, 200, 28230  
Las Rozas (Madrid), Spain  
Tel: 91-639-8888

### GREECE

**Philippos Nakas S.A. The Music House**  
147 Skiathou Street, 112-55 Athens, Greece  
Tel: 01-228 2160

### SWEDEN

**Yamaha Scandinavia AB**  
J. A. Wettergrens Gata 1, Box 30053  
S-400 43 Göteborg, Sweden  
Tel: 031 89 34 00

### DENMARK

**YS Copenhagen Liaison Office**  
Generatorvej 6A, DK-2730 Herlev, Denmark  
Tel: 44 92 49 00

### FINLAND

**F-Musiikki Oy**  
Kluuvikatu 6, P.O. Box 260,  
SF-00101 Helsinki, Finland  
Tel: 09 618511

### NORWAY

**Norsk filial av Yamaha Scandinavia AB**  
Grini Næringspark 1, N-1345 Østerås, Norway  
Tel: 67 16 77 70

### ICELAND

**Skifan HF**  
Skeifan 17 P.O. Box 8120, IS-128 Reykjavik, Iceland  
Tel: 525 5000

### RUSSIA

**Yamaha Music (Russia)**  
Office 4015, entrance 2, 21/5 Kuznetskii  
Most street, Moscow, 107996, Russia  
Tel: 495 626 0660

### OTHER EUROPEAN COUNTRIES

**Yamaha Music Central Europe GmbH**  
Siemensstraße 22-34, 25462 Rellingen, Germany  
Tel: +49-4101-3030

## AFRICA

**Yamaha Corporation,  
Asia-Pacific Music Marketing Group**  
Nakazawa-cho 10-1, Naka-ku, Hamamatsu,  
Japan 430-8650  
Tel: +81-53-460-2312

## MIDDLE EAST

### TURKEY/CYPRUS

**Yamaha Music Central Europe GmbH**  
Siemensstraße 22-34, 25462 Rellingen, Germany  
Tel: 04101-3030

### OTHER COUNTRIES

**Yamaha Music Gulf FZE**  
LOB 16-513, P.O.Box 17328, Jubel Ali,  
Dubai, United Arab Emirates  
Tel: +971-4-881-5868

## ASIA

### THE PEOPLE'S REPUBLIC OF CHINA

**Yamaha Music & Electronics (China) Co.,Ltd.**  
25/F., United Plaza, 1468 Nanjing Road (West),  
Jingan, Shanghai, China  
Tel: 021-6247-2211

### HONG KONG

**Tom Lee Music Co., Ltd.**  
11/F, Silvercord Tower 1, 30 Canton Road,  
Tsimshatsui, Kowloon, Hong Kong  
Tel: 2737-7688

### INDONESIA

**PT. Yamaha Music Indonesia (Distributor)  
PT. Nusantik**  
Gedung Yamaha Music Center, Jalan Jend. Gatot  
Subroto Kav. 4, Jakarta 12930, Indonesia  
Tel: 21-520-2577

### KOREA

**Yamaha Music Korea Ltd.**  
8F, 9F, Dongsung Bldg. 158-9 Samsung-Dong,  
Kangnam-Gu, Seoul, Korea  
Tel: 080-004-0022

### MALAYSIA

**Yamaha Music Malaysia, Sdn., Bhd.**  
Lot 8, Jalan Perbandaran, 47301 Kelana Jaya,  
Petaling Jaya, Selangor, Malaysia  
Tel: 3-78030900

### PHILIPPINES

**Yupango Music Corporation**  
339 Gil J. Puyat Avenue, P.O. Box 885 MCPO,  
Makati, Metro Manila, Philippines  
Tel: 819-7551

### SINGAPORE

**Yamaha Music Asia Pte., Ltd.**  
#03-11 A-Z Building  
140 Paya Lebar Road, Singapore 409015  
Tel: 747-4374

### TAIWAN

**Yamaha KHS Music Co., Ltd.**  
3F, #6, Sec.2, Nan Jing E. Rd. Taipei.  
Taiwan 104, R.O.C.  
Tel: 02-2511-8688

### THAILAND

**Siam Music Yamaha Co., Ltd.**  
891/1 Siam Motors Building, 15-16 floor  
Rama 1 road, Wangmai, Pathumwan  
Bangkok 10330, Thailand  
Tel: 02-215-2626

### OTHER ASIAN COUNTRIES

**Yamaha Corporation,  
Asia-Pacific Music Marketing Group**  
Nakazawa-cho 10-1, Naka-ku, Hamamatsu,  
Japan 430-8650  
Tel: +81-53-460-2317

## OCEANIA

### AUSTRALIA

**Yamaha Music Australia Pty. Ltd.**  
Level 1, 99 Queensbridge Street, Southbank,  
Victoria 3006, Australia  
Tel: 3-9693-5111

### NEW ZEALAND

**Music Houses of N.Z. Ltd.**  
146/148 Captain Springs Road, Te Papapa,  
Auckland, New Zealand  
Tel: 9-634-0099

### COUNTRIES AND TRUST TERRITORIES IN PACIFIC OCEAN

**Yamaha Corporation,  
Asia-Pacific Music Marketing Group**  
Nakazawa-cho 10-1, Naka-ku, Hamamatsu,  
Japan 430-8650  
Tel: +81-53-460-2312

**HEAD OFFICE** Yamaha Corporation, Pro Audio & Digital Musical Instrument Division  
Nakazawa-cho 10-1, Naka-ku, Hamamatsu, Japan 430-8650  
Tel: +81-53-460-3273

EKB44

U.R.G., Pro Audio & Digital Musical Instrument Division, Yamaha Corporation  
© 2008 Yamaha Corporation

??????? ????????.?1A0  
Printed in ?????